

Omnia UL - ULI

Universal and floor installation



- **Very quiet**
- **Ideal for residential or office solutions**
- **Version with Coldplasma Air purifier**



DESCRIPTION

Fan coils for heating, cooling, and dehumidification. It can be installed on 2-pipe systems and combined with any heat generator even at low temperatures. Choosing the optimal solution for any requirement is easy thanks to the various versions available and to the possibility of horizontal or vertical installation, depending on the version.

VERSIONS

C Vertical installation, bottom intake, electronic thermostat
PC Vertical installation, bottom intake, electronic thermostat, Cold Plasma air purifier
S Vertical and horizontal installation, bottom intake, without controls
UL Standard - Vertical installation, bottom intake, manual switch-over

FEATURES

Case

Protective metal cabinet with anti-corrosion polyester RAL 9003 paint, whereas the head with the air distribution grille is in RAL 7044 plastic.

Ventilation group

Comprised of a dual intake centrifugal fan that is particularly silent, statically and dynamically balanced and directly coupled to the motor shaft.

The plastic augers are extractable for easy and efficient cleaning.

In the UL fan coils

The electric motor is single-phase multi-speed (3 selectable), mounted on anti-vibration supports and with a permanently inserted capacitor.

In the ULI fan coils

The Brushless electric motor with 0-100% continuous speed variation, which allows precise adaptation to the real demands of the internal environment without temperature fluctuations.

ACCESSORIES

Control panels

AER503: Wall-mounted panel.

The air flow can be continuously changed through a 1-10V signal, coming from adjustment and control commands Aermec or from independent adjustment systems.

This lowers noise and generates a better response to heat loads and a higher stability in the desired temperature inside the room.

The high efficiency even with low speed, makes it possible to reduce power consumption (more than 50% less than fan coils with traditional motors).

Heat exchanger coil

With copper pipes and aluminium fins, the main coil has female gas water connections on the left side and the manifolds have air vents.

The coil is not suitable for use in corrosive atmosphere or in environments where aluminium may be subject to corrosion.

■ *The hydraulic connections can be inverted during installation.*

Condensate drip

Provided standard in plastic and fixed to the interior structure; with external condensate discharge.

Air filter

The fan coils have, as standard, precharged electrostatic filters. These filters, thanks to their special execution, attracts and retains all suspended dust particles, thus guaranteeing pure breathable air to the whole family.

APC versions equipped with Coldplasma Air purifier.

The purifier is able to reduce pollutants, decomposing their molecules using electrical charges, causing the water molecules in the air to split into positive and negative ions. These ions neutralise the molecules in the gaseous pollutants, obtaining products normally present in clean air. The device is able to eliminate 90% of the bacteria. The result is clean, ionized air, free of foul odours.

PX2: Commutator switch.

PX2C6: Commutator switch. Kit to 6 pz.

PXAE: Electronic thermostat with thermostated or continuous ventilation.

SA5: Air temperature probe.

SIT3: Thermostat Interface Card allowing the creation of a network of fan coils (max. 10) commanded by a central control panel (selector or thermostat). Commands the 3 fan speeds and must be installed on each fan coil within the network; receives the commands from the selector or the SIT5 card.

SIT5: Thermostat Interface Card allowing the creation of a network of fan coils (max. 10) commanded by a central control panel (selector or thermostat). Commands the 3 fan speeds and up to 2 valves (four pipe systems); sends the thermostat's commands to the fan coil network.

SW3: Water temperature probe. Allows automatic season change on electronic controllers supplied with water-side change over.

SW5: Water temperature probe.

SWAI: External air or water temperature probe.

TPF: Electronic thermostat, black, with thermostated or continuous ventilation.

TPFW: Electronic thermostat, white, with thermostated or continuous ventilation.

WMT05: Electronic thermostat with thermostated ventilation.

WMT10: Electronic thermostat, white, with thermostated or continuous ventilation.

WMT21: Electronic thermostat for inverter fancoils.

VMF Components

VMF-E0X: Thermostat to be secured to the side of the fan coil, fitted as standard with an air probe and a water probe.

VMF-E19: Thermostat to be secured to the side of the fan coil, fitted as standard with an air probe and a water probe.

VMF-E19I: Thermostat for inverter unit to be fixed on the side of the fan coil, fitted as standard with an air and water probe.

VMF-E2D: User interface on the machine, to be combined with the VMF-E19 accessory.

VMF-E4DX: Wall-mounted user interface. Grey front panel PANTONE 425C (METAL).

VMF-E4X: Wall-mounted user interface. Light grey front panel PANTONE COOL GRAY 1C.

VMF-IO: Expansion board that expands the availability of Digital Inputs and Outputs, configurable via dip switches.

VMF-LON: Expansion that allows interfacing with a thermostat with BMS systems using the LON protocol.

Common accessories

AMP: Wall mounting kit

DSC: Condensate drainage device.

ZXZ: Pair of stylish and structural gray feet with skirting board.

VCH: 3-way motorised valve kit. The kit consists of a valve with its insulating shell, an actuator and the relative pipe fittings. It can be installed on fan coils with both right and left connections.

VCHD: 2-way motorised valve kit. The kit consists of a valve, an actuator and the relative pipe fittings. It can be installed on fan coils with both right and left connections.

BC: Condensate drip.

GU: Intake grid covers the front space between the ornamental feet and does not interfere with the filter.

PCU: Sheet metal panel closing the rear of the unit.

ACCESSORIES COMPATIBILITY

Control panels and dedicated accessories - OMNIA UL

Model	Ver	11	16	26	36
AER503	S,UL	•	•	•	•
PX2	S	•	•	•	•
PX2C6 (1)	S	•	•	•	•
PXAE	S	•	•	•	•
SA5	S,UL	•	•	•	•
SIT3 (2)	S	•	•	•	•
SIT5 (2)	S	•	•	•	•
SW3 (3)	C,PC	•	•	•	•
SW5	S,UL	•	•	•	•
TPF	S	•	•	•	•
TPFW	S	•	•	•	•
TX	S	•	•	•	•
WMT05	S	•	•	•	•
WMT10	S	•	•	•	•

(1) Only wall-mount installation

(2) Cards for PXAE-PXAR-AER503-TX thermostats if present.

(3) Cards for PXAE-PXAR-AER503-TX thermostats if present.

Control panels and dedicated accessories - Omnia ULI

Model	Ver	16	26	36
AER503	S	•	•	•
SA5	S	•	•	•
SW5	S	•	•	•
SWAI (1)	S	•	•	•
TX	S	•	•	•
WMT21	S	•	•	•

(1) Probe for thermostat WMT21.

VMF system - Omnia UL

Model	Ver	11	16	26	36
VMF-E0X	S	•	•	•	•
VMF-E2D	S	•	•	•	•
VMF-E4DX	S	•	•	•	•
VMF-E4X	S	•	•	•	•

VMF system - Omnia ULI

Model	Ver	16	26	36
VMF-E19I	S	•	•	•

Model	Ver	16	26	36
VMF-E2D	S	•	•	•
VMF-E4DX	S	•	•	•
VMF-E4X	S	•	•	•
VMF-E5B	S	•	•	•
VMF-E5N	S	•	•	•
VMF-E6	S	•	•	•

Condensate drip

Model	Ver	11	16	26	36
BC10 (1)	C,PC,S,UL	•	•	•	•
BC20 (2)	C,PC,S,UL	•	•	•	•

- (1) For vertical installation.
(2) For horizontal installation.

Condensate drainage

Model	Ver	11	16	26	36
DSC5 (1)	C,PC,S,UL	•	•	•	•

- (1) The accessory cannot be fit if the accessory BC10 or BC20 is installed.

Model	Ver	11	16	26	36
VCH	C,PC,S,UL	•	•	•	•

2 way valve kit

Model	Ver	11	16	26	36
VCHD	C,PC,S,UL	•	•	•	•

Wall mounting kit

Model	Ver	11	16	26	36
AMP10	C,PC	•	•	•	•

Panel closing the rear of the unit

Ver	11	16	26	36
C,PC,S,UL	PCU10	PCU15	PCU25	PCU35

Intake grids

Ver	11	16	26	36
C,PC,S,UL	GU10 (1)	GU15 (1)	GU25 (1)	GU25 (1)

- (1) The combination with a pair of stylish and structural feet is mandatory.

Pair of stylish and structural feet.

Ver	11	16	26	36
C,PC,S,UL	ZU	ZU	ZU	ZU

CONFIGURATOR

Omnia UL

Field	Description
1,2	UL
3,4	Size 11, 16, 26, 36
5	Version
C	Vertical installation, bottom intake, electronic thermostat
PC	Vertical installation, bottom intake, electronic thermostat, Cold Plasma air purifier
S	Vertical and horizontal installation, bottom intake, without controls
UL	Standard - Vertical installation, bottom intake, manual switch-over

Omnia ULI

Field	Description
1,2,3	ULI
4,5	Size 16, 26, 36
6	Version
C	Vertical installation, bottom intake, electronic thermostat
PC	Vertical installation, bottom intake, electronic thermostat, Cold Plasma air purifier
S	Vertical and horizontal installation, bottom intake, without controls

PERFORMANCE SPECIFICATIONS UL

2-pipe

	UL11			UL16			UL26			UL36			
	1	2	3	1	2	3	1	2	3	1	2	3	
	L	M	H	L	M	H	L	M	H	L	M	H	
Heating performance 70 °C / 60 °C (1)													
Heating capacity	kW	1,06	1,46	2,01	1,54	2,12	2,91	2,89	3,83	4,62	3,63	4,87	5,94
Water flow rate system side	l/h	93	128	176	135	186	255	254	336	405	310	427	521
Pressure drop system side	kPa	1	1	2	1	2	4	5	8	11	3	5	7
Heating performance 45 °C / 40 °C (2)													
Heating capacity	kW	0,52	0,73	1,00	0,76	1,05	1,44	1,44	1,90	2,29	1,75	2,42	2,95
Water flow rate system side	l/h	92	126	174	133	183	251	249	331	399	305	420	513
Pressure drop system side	kPa	1	1	2	2	3	3	5	8	11	7	13	18
Cooling performance 7 °C / 12 °C (3)													
Cooling capacity	kW	0,53	0,67	0,82	0,69	0,87	1,17	1,26	1,65	1,99	1,63	2,26	2,79
Sensible cooling capacity	kW	0,38	0,52	0,68	0,52	0,69	0,96	0,97	1,30	1,61	1,13	1,59	2,00
Water flow rate system side	l/h	94	117	145	122	153	206	220	289	349	286	394	487
Pressure drop system side	kPa	1	2	2	2	3	5	5	8	11	7	13	19
Fan													
Type	type	Centrifugal											
Fan motor	type	On-Off											
Number	no.	1			1			2			2		
Air flow rate	m ³ /h	80	120	180	110	160	240	190	270	350	240	350	460
Input power	W	8	12	18	23	25	32	24	27	35	30	35	42
Sound data fan coils (4)													
Sound power level	dB(A)	31,0	37,0	46,0	34,0	43,0	48,0	35,0	43,0	48,0	34,0	43,0	50,0
Sound pressure	dB(A)	23,0	29,0	38,0	26,0	35,0	40,0	27,0	35,0	40,0	26,0	33,0	40,0
Diameter hydraulic fittings													
Main coil	∅	1/2"											
Power supply													
Power supply		230V~50Hz											

(1) Room air temperature 20 °C d.b.; Water (in/out) 70 °C/60 °C

(2) Room air temperature 20 °C d.b.; Water (in/out) 45 °C/40 °C; EUROVENT

(3) Room air temperature 27 °C d.b./19 °C w.b.; Water (in/out) 7 °C/12 °C; EUROVENT

(4) Aermec determines sound power values on the basis of measurements made in accordance with UNI EN 16583:15, as required for Eurovent certification.

PERFORMANCE SPECIFICATIONS ULI

2-pipe

	ULI16			ULI26			ULI36			
	1	2	3	1	2	3	1	2	3	
	L	M	H	L	M	H	L	M	H	
Heating performance 70 °C / 60 °C (1)										
Heating capacity	kW	1,54	2,12	2,91	2,89	3,83	4,62	3,53	4,87	5,94
Water flow rate system side	l/h	135	186	255	254	336	405	310	427	521
Pressure drop system side	kPa	1	2	4	5	8	11	3	5	7
Heating performance 45 °C / 40 °C (2)										
Heating capacity	kW	0,76	1,05	1,44	1,44	1,90	2,29	1,75	2,42	2,95
Water flow rate system side	l/h	133	183	251	249	331	399	305	420	513
Pressure drop system side	kPa	2	2	2	5	8	11	7	12	18
Cooling performance 7 °C / 12 °C (3)										
Cooling capacity	kW	0,69	0,87	1,17	1,26	1,65	1,99	1,63	2,26	2,79
Sensible cooling capacity	kW	0,52	0,69	0,96	0,97	1,30	1,61	1,13	1,59	2,00
Water flow rate system side	l/h	122	153	206	220	289	349	286	394	487
Pressure drop system side	kPa	2	3	5	6	8	11	7	13	19
Fan										
Type	type	Centrifugal								
Fan motor	type	Inverter								
Number	no.	1			2			2		
Air flow rate	m ³ /h	110	160	240	190	270	350	240	350	460
Input power	W	23	25	32	24	27	35	30	35	42
Signal 0-10V	%	38	56	83	49	70	90	48	70	90
Sound data fan coils (4)										
Sound power level	dB(A)	34,0	43,0	48,0	35,0	43,0	48,0	34,0	43,0	50,0
Sound pressure	dB(A)	26,0	35,0	40,0	27,0	35,0	40,0	26,0	33,0	40,0
Diameter hydraulic fittings										
Main coil	∅	1/2"								
Power supply										
Power supply		230V~50Hz								

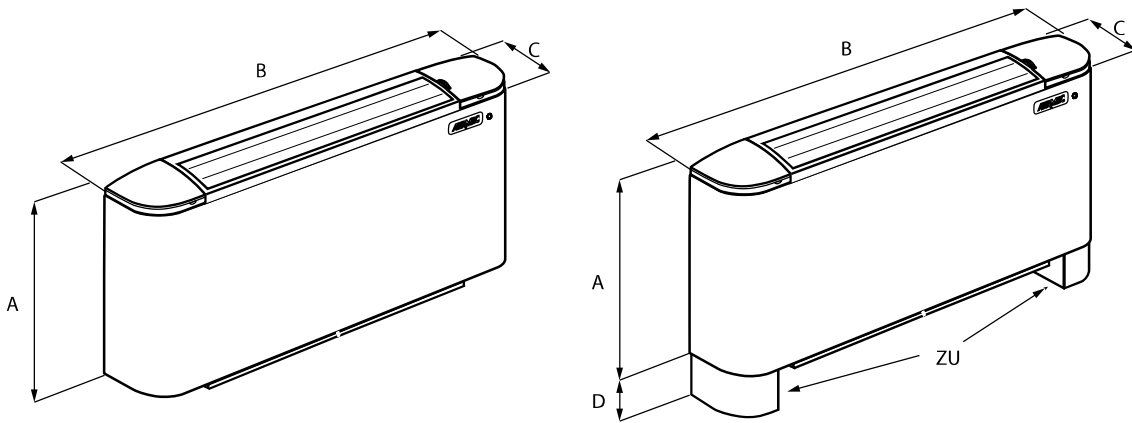
(1) Room air temperature 20 °C d.b.; Water (in/out) 70 °C/60 °C

(2) Room air temperature 20 °C d.b.; Water (in/out) 45 °C/40 °C; EUROVENT

(3) Room air temperature 27 °C d.b./19 °C w.b.; Water (in/out) 7 °C/12 °C; EUROVENT

(4) Aermec determines sound power values on the basis of measurements made in accordance with UNI EN 16583:15, as required for Eurovent certification.

DIMENSIONS



Size			11	16	26	36
Dimensions and weights						
A	C,PCS,UL	mm	513	513	513	513
B	C,PCS,UL	mm	640	750	980	1200
C	C,PCS,UL	mm	173	173	173	173
D	C,PCS,UL	mm	93	93	93	93
Weight empty	C,PCS,UL	kg	12	14	16	20

Aermec reserves the right to make any modifications deemed necessary.
All data is subject to change without notice. Aermec does not assume
responsibility or liability for errors or omissions.

Aermec S.p.A.

Via Roma, 996 - 37040 Bevilacqua (VR) - Italia
Tel. 0442633111 - Telefax 044293577
www.aermec.com