

Haier SERVICE MANUAL

Wall Mounted Type

DC Inverter

Model No. AS68TEBHRA



WARNING

This service information is designed for experienced repair technicians only and is not designed for use by the general public. It does not contain warnings or cautions to advise non-technical individuals of potential dangers in attempting to service a product. Products powered by electricity should be serviced or repaired only by experienced professional technicians. Any attempt to service or repair the product or products dealt with in this service information by anyone else could result in serious injury or death.

2017 (Qingdao Haier Air Conditioner General Corp., Ltd)
All rights reserved. Unauthorized copying and distribution is a violation of law

Haier Group

Version: V1

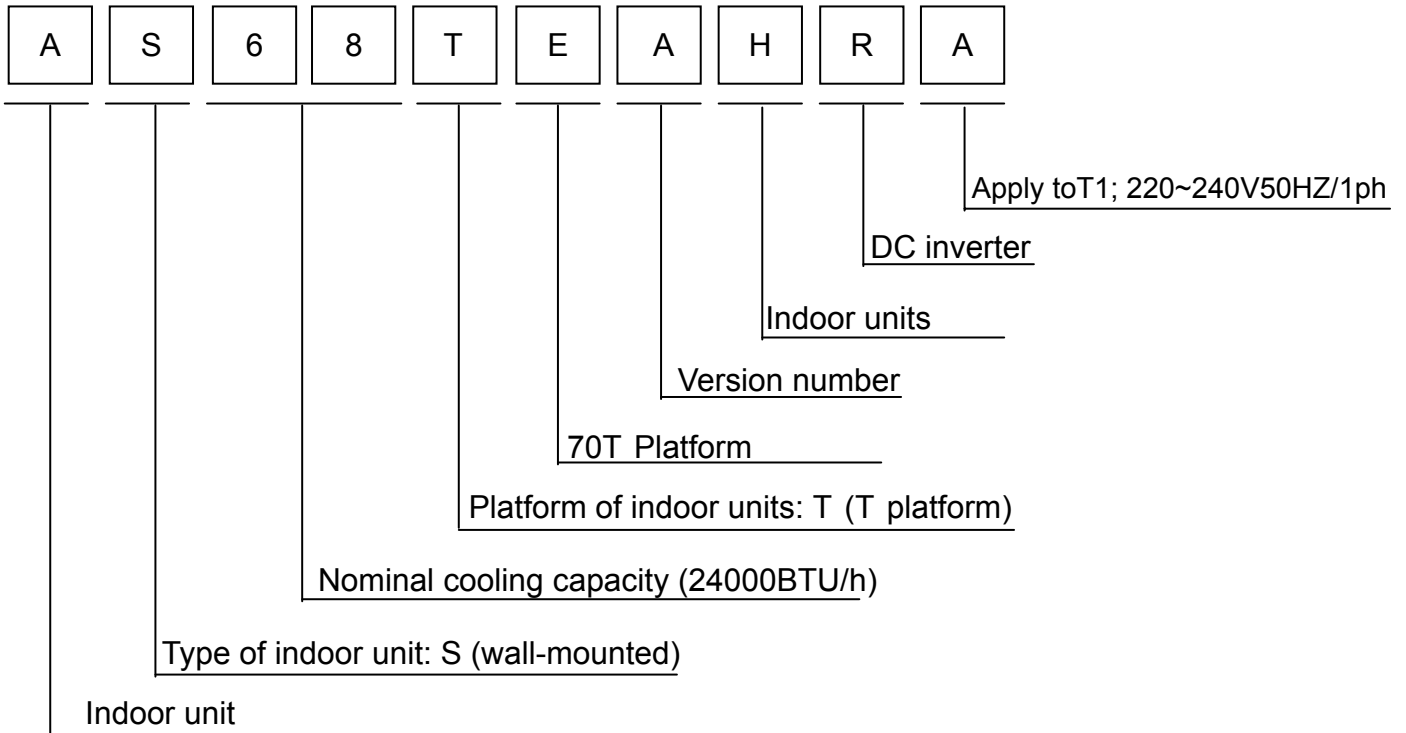
Date: 2017-11-28

Contents

| | |
|--|----|
| 1. Introduction..... | 1 |
| 2. Features | 7 |
| 3. Specifications | 8 |
| 4. Sensors list..... | 9 |
| 5. Piping diagrams..... | 10 |
| 6. Printed circuit board connector wiring diagram..... | 11 |
| 7. Functions and control | 14 |
| 8. Dimensional drawings | 26 |
| 9. Center of gravity | 26 |
| 10. Service Diagnosis | 27 |
| 11. Circuit diagrams | 44 |

1. Introduction

1.1 Model name explanation



1.2 Safety Cautions

Be sure to read the following safety cautions before conducting repair work.

The caution items are classified into “Warning” and “Caution”. The “Warning” items are especially important since they can lead to death or serious injury if they are not followed closely. The “Caution” items can also lead to serious accidents under some conditions if they are not followed. Therefore, be sure to observe all the safety caution items described below.

About the pictograms

△ This symbol indicates an item for which caution must be exercised.

The pictogram shows the item to which attention must be paid.

○ This symbol indicates a prohibited action.

The prohibited item or action is shown inside or near the symbol.






● This symbol indicates an action that must be taken, or an instruction.







The instruction is shown inside or near the symbol.

After the repair work is complete, be sure to conduct a test operation to ensure that the equipment operates

Normally, and explain the cautions for operating the product to the customer.



1.2.1 Caution in Repair


| Warning | |
|--|---|
| <p>Be sure to disconnect the power cable plug from the plug socket before disassembling the equipment for a repair.</p> <p>Working on the equipment that is connected to a power supply can cause an electrical shock.</p> <p>If it is necessary to supply power to the equipment to conduct the repair or inspecting the circuits, do not touch any electrically charged sections of the equipment.</p> |  |
| <p>If the refrigerant gas discharges during the repair work, do not touch the discharging refrigerant gas. The refrigerant gas can cause frostbite.</p> |  |
| <p>When disconnecting the suction or discharge pipe of the compressor at the welded section, release the refrigerant gas completely at a well-ventilated place first.</p> <p>If there is a gas remaining inside the compressor, the refrigerant gas or refrigerating machine oil discharges when the pipe is disconnected, and it can cause injury.</p> | |
| <p>If the refrigerant gas leaks during the repair work, ventilate the area. The refrigerant gas can generate toxic gases when it contacts flames.</p> |  |
| <p>The step-up capacitor supplies high-voltage electricity to the electrical components of the outdoor unit.</p> <p>Be sure to discharge the capacitor completely before conducting repair work. A charged capacitor can cause an electrical shock.</p> |  |
| <p>Do not start or stop the air conditioner operation by plugging or unplugging the power cable plug.</p> <p>Plugging or unplugging the power cable plug to operate the equipment can cause an electrical shock or fire.</p> |  |

| | |
|--|--|
| Warning | |
| Do not repair the electrical components with wet hands . Working on the equipment with wet hands can cause an electrical shock |  |
| Do not clean the air conditioner by splashing water. Washing the unit with water can cause an electrical shock. |  |
| Be sure to provide the grounding when repairing the equipment in a humid or wet place, to avoid electrical shock. |  |
| Be sure to turn off the power switch and unplug the power cable when cleaning the equipment. The internal fan rotates at a high speed, and cause injury. |  |
| Do not tilt the unit when removing it. The water inside the unit can spill and wet the furniture and floor. |  |
| Be sure to check that the refrigerating cycle section has cooled down sufficiently before conducting repair work. Working on the unit when the refrigerating cycle section is hot can cause burns. | |
| Use the welder in a well-ventilated place. Using the welder in an enclosed room can cause oxygen deficiency. |  |



1.2.2 Cautions Regarding Products after Repair


| | |
|--|-------------------------|
| Warning | |
| Be sure to use parts listed in the service parts list of the applicable model and appropriate tools to conduct repair work. Never attempt to modify the equipment. The use of inappropriate parts or tools can cause an electrical shock, excessive heat generation or fire. | |
| When relocating the equipment, make sure that the new installation site has sufficient strength to withstand the weight of the equipment. If the installation site does not have sufficient strength and if the installation work is not conducted securely, the equipment can fall and cause injury. | |
| Be sure to install the product correctly by using the provided standard installation frame. Incorrect use of the installation frame and improper installation can cause the equipment to fall, resulting in injury. | For integral units only |
| Be sure to install the product securely in the installation frame mounted on a window frame. If the unit is not securely mounted, it can fall and cause injury. | For integral units only |


| Warning | |
|---|---|
| <p>Be sure to use an exclusive power circuit for the equipment, and follow the technical standards related to the electrical equipment, the internal wiring regulations and the instruction manual for installation when conducting electrical work.</p> <p>Insufficient power circuit capacity and improper electrical work can cause an electrical shock or fire.</p> | |
| <p>Be sure to use the specified cable to connect between the indoor and outdoor units. Make the connections securely and route the cable properly so that there is no force pulling the cable at the connection terminals.</p> <p>Improper connections can cause excessive heat generation or fire.</p> | |
| <p>When connecting the cable between the indoor and outdoor units, make sure that the terminal cover does not lift off or dismount because of the cable.</p> <p>If the cover is not mounted properly, the terminal connection section can cause an electrical shock, excessive heat generation or fire.</p> | |
| <p>Do not damage or modify the power cable.</p> <p>Damaged or modified power cable can cause an electrical shock or fire. Placing heavy items on the power cable, and heating or pulling the power cable can damage the cable.</p> |  |
| <p>Do not mix air or gas other than the specified refrigerant (R-410A / R22) in the refrigerant system.</p> <p>If air enters the refrigerating system, an excessively high pressure results, causing equipment damage and injury.</p> | |
| <p>If the refrigerant gas leaks, be sure to locate the leak and repair it before charging the refrigerant. After charging refrigerant, make sure that there is no refrigerant leak.</p> <p>If the leak cannot be located and the repair work must be stopped, be sure to perform pump-down and close the service valve, to prevent the refrigerant gas from leaking into the room. The refrigerant gas itself is harmless, but it can generate toxic gases when it contacts flames, such as fan and other heaters, stoves and ranges.</p> |  |
| <p>When replacing the coin battery in the remote controller, be sure to disposed of the old battery to prevent children from swallowing it.</p> <p>If a child swallows the coin battery, see a doctor immediately.</p> | |

| Caution | |
|---|---|
| Installation of a leakage breaker is necessary in some cases depending on the conditions of the installation site, to prevent electrical shocks. | |
| Do not install the equipment in a place where there is a possibility of combustible gas leaks. If a combustible gas leaks and remains around the unit, it can cause a fire. |  |
| Be sure to install the packing and seal on the installation frame properly. If the packing and seal are not installed properly, water can enter the room and wet the furniture and floor. | |

1.2.3 Inspection after Repair

| Warning | |
|--|---|
| Check to make sure that the power cable plug is not dirty or loose, then insert the plug into a power outlet all the way. If the plug has dust or loose connection, it can cause an electrical shock or fire. |  |
| If the power cable and lead wires have scratches or deteriorated, be sure to replace them. Damaged cable and wires can cause an electrical shock, excessive heat generation or fire. |  |





| Warning | |
|--|---|
| Do not use a joined power cable or extension cable, or share the same power outlet with other electrical appliances since it can cause an electrical shock, excessive heat generation or fire. |  |

| Caution | |
|---|---|
| Check to see if the parts and wires are mounted and connected properly, and if the connections at the soldered or crimped terminals are secure. Improper installation and connections can cause excessive heat generation, fire or an electrical shock. | |
| If the installation platform or frame has corroded, replace it. Corroded installation platform or frame can cause the unit to fall, resulting in injury. | |
| Check the grounding, and repair it if the equipment is not properly grounded. Improper grounding can cause an electrical shock. |  |
| Be sure to measure the insulation resistance after the repair, and make sure that the resistance is 1 M ohm or higher. Faulty insulation can cause an electrical shock. | |
| Be sure to check the drainage of the indoor unit after the repair. Faulty drainage can cause the water to enter the room and wet the furniture and floor. | |

1.2.4 Using Icons

Icons are used to attract the attention of the reader to specific information. The meaning of each icon is described in the table below:

1.2.5 Using Icons List

| Icon | Type of Information | Description |
|---|---------------------|--|
|  Note | Note | A “note” provides information that is not indispensable, but may nevertheless be valuable to the reader, such as tips and tricks. |
|  Caution | Caution | A “caution” is used when there is danger that the reader, through incorrect manipulation, may damage equipment, lose data, get an unexpected result or has to restart (part of) a procedure. |
|  Warning | Warning | A “warning” is used when there is danger of personal injury. |
|  Reference | Reference | A “reference” guides the reader to other places in this binder or in this manual, where he/she will find additional information on a specific topic. |

2.Features



Super quiet: Lower noise operation condition



A-PAM DC inverter:With adoption of S-TYPE,S-PAM and PHASE control technology to works more stably at low-frequency,and is more energy-saving,mor powerful at high frequency.



Long distance air supplying:



-15°C Heating: When -15°C can still heating natural



10°C heating maintenance:Heating Holding 10°C temperature



Confortable sleep: The setting temperature and the indoor noise can be adjusted to a more comfortable level when you set the “sleep mode” during night sleep.



Super match:One outdoor unit can match two or more indoor unit.



DIY auto mode: Adjust the last fixed operation mode automatically.



Turbo mode: Quick cooling or heating



Auto restart: Automatic return to previous operation conditions after sudden power blackout



24 hours timer: Use the timer function to set on,or off,or from on to off,or from off to on.



Intergrative valve cover:The valve cover is Intergrative.



2-way piping design: The pipe can shoot out both from left or right side.



Easy clean design: The panel is easy to wash and the airflow vents can be detached easily



Double 8 display:The display is Double 8 mode.

3.Specifications

| NOMINAL DISTRIBUTION SYSTEM VOLTAGE | | |
|-------------------------------------|----|-----|
| Phase | / | 1 |
| Frequency | Hz | 50 |
| Voltage | V | 230 |

| NOMINAL CAPACITY and NOMINAL INPUT | | | |
|------------------------------------|-------------------|----------------------|-------------------|
| | | cooling | heating |
| Capacity rated | KW | 7.0 (2.2-8.5) | 8.1(2.4-10.0) |
| | Btu/h | 23880(7500-29000) | 27640(8190-34120) |
| Power Consumption(Rated) | KW | 2.16 | 2.18 |
| SEER/SCOP | W/W | 7.1 | 4.0 |
| Annual energy consumption | KWh | 350 | 1963 |
| Moisture Removal | m ³ /h | 2.8*10 ⁻³ | |

| TECHNICAL SPECIFICATIONS | | | |
|--------------------------|---------------------------|-------|--------------|
| Dimensions | H*W*D | mm | 1125*240*335 |
| Packaged Dimensions | H*W*D | mm | 1206*342*418 |
| Weight | / | KG | 14 |
| Gross weight | / | KG | 17.5 |
| Color | / | / | White |
| Sound level | Sound pressure(Hi/Mid/Lo) | dB(A) | 47/43/37 |
| | Sound power(high) | dB(A) | 60 |

| TECHNICAL SPECIFICATIONS-PARTS | | | | |
|--------------------------------|----------------------|-------------------|---------------------------------|--------------|
| | | | cooling | heating |
| Fan | Type | | Cross flow fan | |
| | Motor | W | 40 | 40 |
| | Air flow rate(high) | m ³ /h | 1200 | |
| | Speed(Hi/Mid/Lo) | rpm | 1100/950/800 | 1000/850/700 |
| Heat exchanger | Type | | ML fin- φ 7HI-HX tube | |
| | Segment *stage*fitch | | 3*18*1.4 | |
| Air direction control | | | Right,Left,Horizontal,Downward | |
| Air filter | | | Removable/Washable/Mildew Proof | |
| Temperature control | | | Microcomputer Control | |
| Remote controller model | | | YR-HE | |

Note: the data are based on the conditions shown in the table below

| cooling | heating | Piping length |
|---|---------------------------------------|---------------|
| Indoor: 27°CDB/19°CWB Outdoor: 35°CDB/24°CWB | Indoor:20°CDB Outdoor: 7°CDB/6°CWB | 5m |

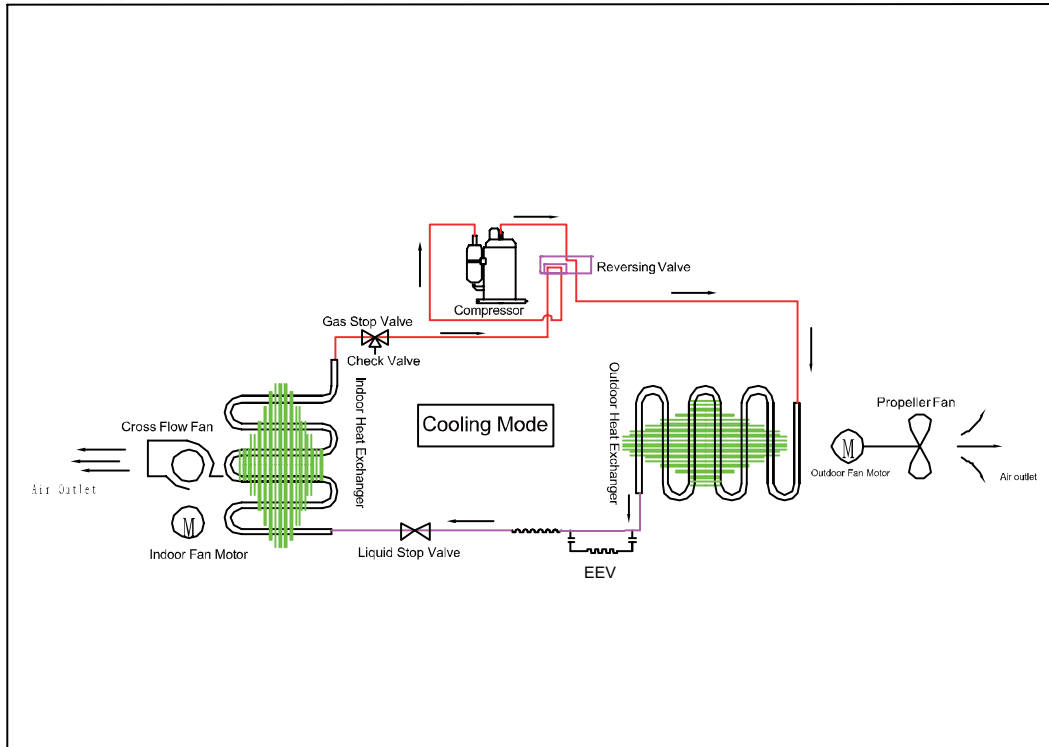
| Conversation formulae |
|------------------------------|
| Kcal/h= KW×860 |
| Btu/h= KW×3414 |
| cfm=m ³ /min×35.3 |

4. Sensors list

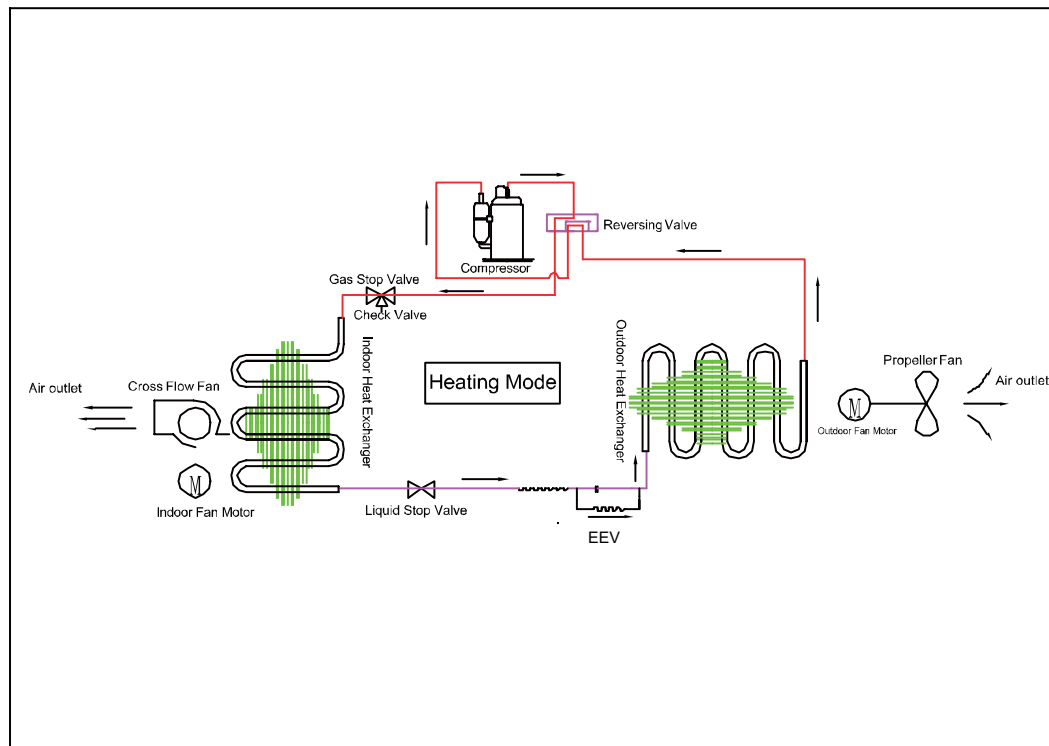
| type | Description | Qty |
|----------------------|--|-----|
| Room and pipe sensor | Its used for detecting room and evaporator temperature | 1 |

5. Piping diagrams

Cooling mode



Heating mode



6. Printed circuit board connector wiring diagram

Connectors

PCB(1) (Control PCB) For 18k / 24K

- 1) CN9 Connector for fan motor
- 2) CN6 Connector for heat exchanger thermistor and Room temperature thermistor
- 3) CN5' Connector for UP&DOWN STEP motor
- 4) CN11、CN11' Connector for RIGHT&LEFT STEP motor
- 5) CN21 (white line) 、CN17(black line) Connector for indoor terminal N and L
- 6) CN7 Connector for display board
- 7) CON2、CON3 Connector for ion generator
- 8) CN23 (red line) Connector for communicate between the indoor board and the outdoor board
- 9) CN36 Connector for long-range control
- 10) CN34 Connector for wifi Module
- 11) CON1 Connector for fresh air
- 12) CN2 Connector for wired controller
- 13) CN51 Connector for room card

Note: Other designations

PCB(1) (Indoor Control PCB)

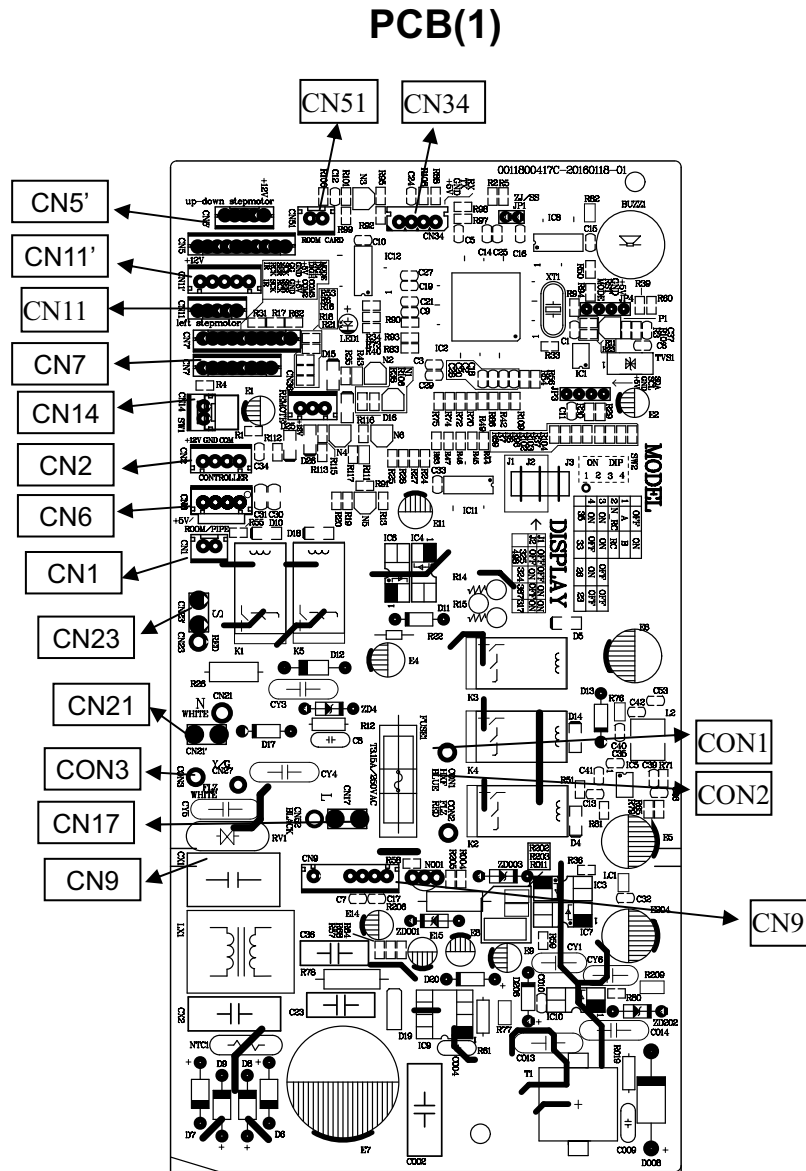
- 1) CN14 Connector for Forced operation ON / OFF switch
- 2) FUSE1 Fuse 3.15A/250VAC

| | | | | |
|-----|------|-----|-----|-----|
| | OFF | ON | | |
| 1 | A | B | | |
| 2 | N RC | RC | | |
| 3 | ON | ON | OFF | OFF |
| 4 | ON | OFF | ON | OFF |
| PCB | 35 | 33 | 26 | 23 |

| | |
|------------|------------------|
| UNIT MODEL | PCB MODEL |
| AS68TEBHRA | 0011800417F (26) |

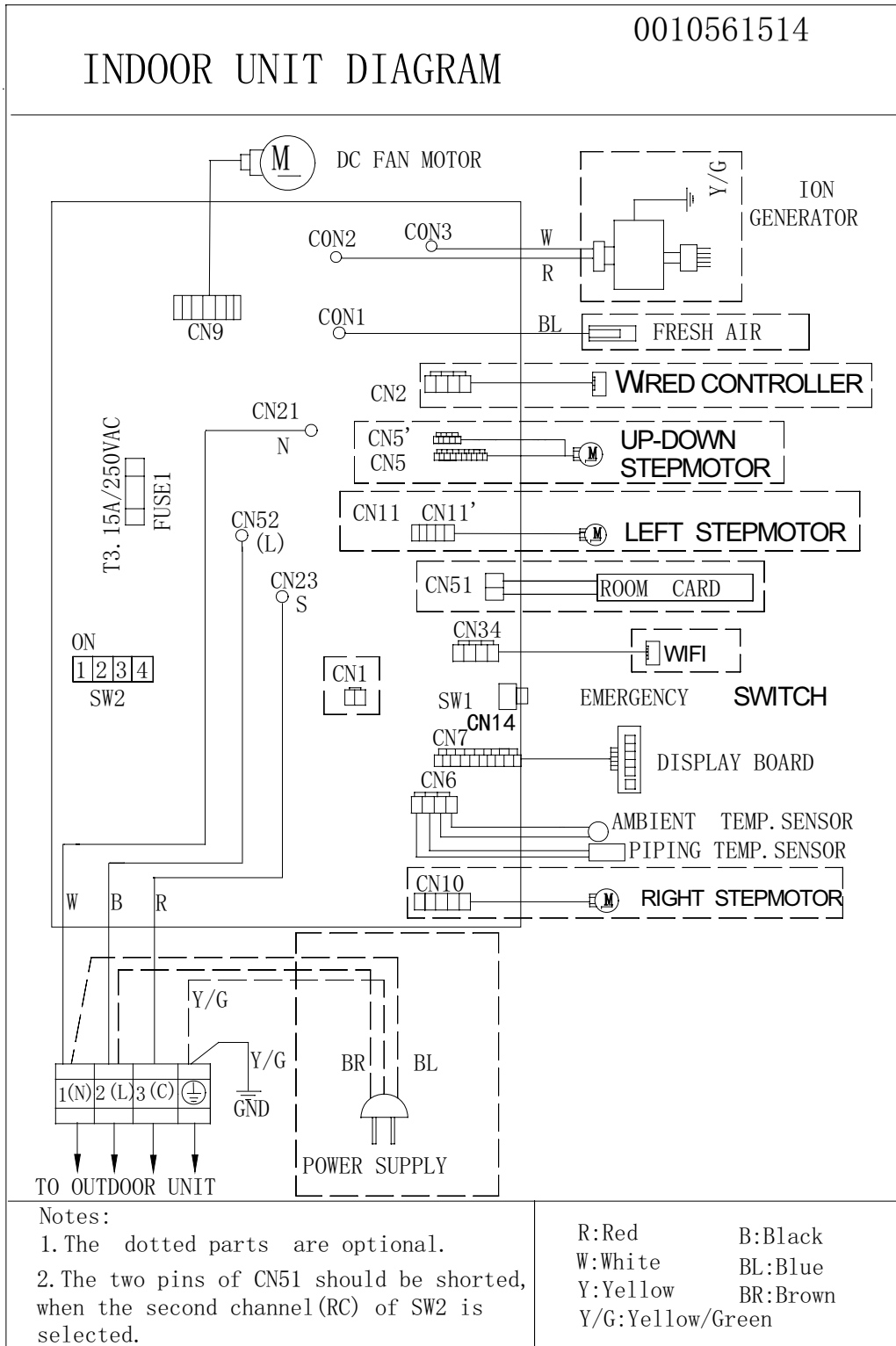
| | | | | |
|----------------|-----------|------|------|------|
| J1 | OFF | OFF | ON | ON |
| J2 | OFF | ON | OFF | ON |
| DISPLAY SERIES | 325*/498* | 324* | 387* | 317* |

| | |
|------------|---------------|
| UNIT MODEL | DISPLAY MODEL |
| AS68TEBHRA | 0011800387H |



Wiring diagrams

INDOOR UNIT



7.Functions and control

7.1 Main functions and control specification

7.1.1 Automatic operation

When the running mode is turned to automation after starting the system, the system will first determine the running mode according to the current room temperature and then will run according to the determined mode. Tr in the following selection conditions means room temperature, Ts means setting temperature, Tp means temperature of indoor coil pipe

$Tr \geq Ts - 3^{\circ}\text{C}$ Choose Cooling Mode

$Tr < Ts - 3^{\circ}\text{C}$ Choose Heating Mode

After turning to the automation mode, the running mode can be switched between cooling mode, fan mode and heating mode according to the change of the indoor ambient temperature. But the automatic conversion between cooling mode and heating mode must be conducted after 15 minutes.

7.1.2 Cooling operation mode

Temperature control range: $16^{\circ}\text{C} \text{---} 30^{\circ}\text{C}$

Temperature difference: $\pm 1^{\circ}\text{C}$

* Control features: When Tr (input airflow) $> Ts$ (set temperature) + temperature Backlash A, the compressor will be opened, the indoor fan will operate at the set speed and the mode signal will be sent to the outdoor system. When Tr (input airflow) $< Ts$ (set temperature) - temperature Backlash B, the compressor will be shutted, the indoor fan will operate at the set speed and the mode signal will be sent to the outdoor system. The system will keep the original status if $Tr = Ts$.

Airflow speed control: (temperature difference 1°C)

Automatic: When $Tr \leq Ts + 3^{\circ}\text{C}$, high speed.

When $Ts + 1^{\circ}\text{C} \leq Tr < Ts + 3^{\circ}\text{C}$, medium speed

When $Tr < Ts + 1^{\circ}\text{C}$, low speed

When the sensor is off, low speed

When the airflow speed has no delay from the high to low switching, the speed should be delayed for 3 minutes (remain at high speed for 3 minutes.) before the next switch.

Manus: When the system is operating, you can set the high, medium or low speed manually. (When the sensor is on or off, the system will change the speed 2 seconds after receiving the signal.)

*Airgate location control: the location for the airgate can be set according to your needs.

*Defrosting function: preventing the frosting on the indoor heat exchanger (when cooling or dehumidifying). When the compressor works continuously for 6 minutes and the temperature of the indoor coils has been below one centigrade for 10 seconds, the compressor will be stopped and the malfunction will be recorded in the malfunction list. The indoor system will continue to run. When the temperature of the indoor coil is raised to 9°C , the compressor will be restarted again (the requirement of 3 minutes' delay should be satisfied.)

* timing system on/off function.

* Dormant control function.

7.1.3 Dehumidifying mode.

* temperature control range: 16---30°C

* temperature difference: $\pm 1^\circ\text{C}$

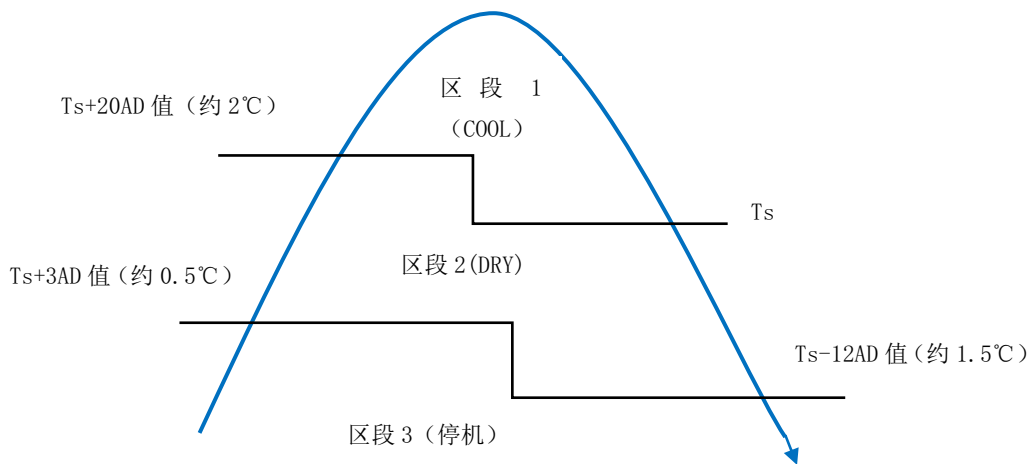
Control feature: send the dehumidifying signal to the outdoor system.

When $T_r > T_s + 2^\circ\text{C}$, the compressor will be turned on, the indoor fan will operate at the set speed.

When T_r is between the T_s and $T_s + 2^\circ\text{C}$, the outdoor system will operate at the high dehumidifying frequency for 10 minutes and then at the low dehumidifying mode for six minutes. The indoor fan will operate at low speed.

When $T_r < T_s - 1.5^\circ\text{C}$, the outsystem will be stopped, the indoor fan will be stopped for 3 minutes and then turned to the low speed option.

All the frequency converses have a $\pm 1^\circ\text{C}$ difference.



* Wind speed control: Automatic:

When $T_r \geq T_s + 5^\circ\text{C}$, high speed.

When $T_s + 3^\circ\text{C} \leq T_r < T_s + 5^\circ\text{C}$, medium speed.

When $T_s + 2^\circ\text{C} \leq T_r < T_s + 3^\circ\text{C}$, low speed.

When $T_r < T_s + 2^\circ\text{C}$, light speed.

If the outdoor fan stopped, the indoor fan will be paused for 3 minutes.

If the outdoor fan stopped for more than 3 minutes and the outdoor system still operates, the system will be changed into light speed mode.

When the airflow speed has no delay from the high to low switching, the speed should be delayed for 3 minutes (remain at high speed for 3 minutes.) before the next switch.

Manual: When the sensor is off or $T_r < T_s + 3^\circ\text{C}$, the manual operation can not be made. (obligatory automatic operation.)

*Airgate location control: the location for the airgate can be set according to your needs.

*Defrosting function: preventing the frosting on the indoor heat exchanger (when cooling or dehumidifying). When the compressor works continuously for 6 minutes and the temperature of the indoor coils has been below 1°C for 10 seconds, the compressor will be stopped and the malfunction will be recorded in the malfunction list. The indoor system will continue to run. When the temperature of the indoor coil is raised to 9°C , the compressor will be restarted again (the requirement of 3 minutes' delay should be satisfied.)

* Coil protection (synchronic overheating protection) are installed for the four directions latch

malfunctions when dehumidifying.

* Timing system on/off function.

* Dormant control function.

7.1.4 Heating operation mode.

* temperature control range: 16---30°C

* temperature difference: $\pm 1^\circ\text{C}$

* control feature: the temperature compensation is automatically added and the system will send the heating signals to the outdoor system.

If $T_r + 0.5^\circ\text{C} \leq T_s$, the outdoor compressor is turned on, the indoor fan will be at the cold air proof mode.

If $T_r > T_s + 1.5^\circ\text{C}$, the outdoor system is turned off, the indoor fan will be at the heat residue sending mode.

*Indoor fan control

manual control: You can choose high, medium, low and automatic speed control.

Automatic: When $T_r < T_s$, high speed.

When $T_s \leq T_r \leq T_s + 2^\circ\text{C}$, medium speed.

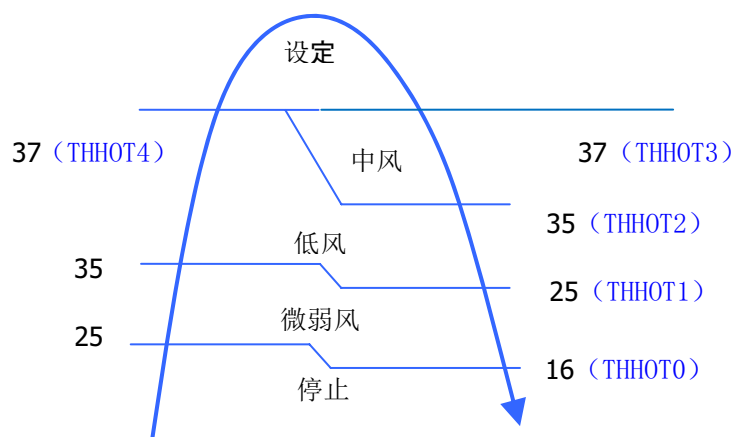
When $T_r > T_s + 2^\circ\text{C}$, low speed.

When the airflow speed has no delay from the high to low switching, the speed should be delayed for 3 minutes (remain at high speed for 3 minutes.) before the next switch.

*Airgate location control: the location for the airgate can be set according to your needs.

Coldair proof operation

1. The fan control functions as below:



* Residue heat sending. The indoor fan will send the residue heat at a low speed for 20 seconds.

If other conditions are satisfied, when the compressor stops, the indoor system will operate at a light speed. The indoor fan will stop when the coil temperature is below the THHOT0.

* Defrosting. When the system receives the defrosting signal from outdoors, the indoor fan will stop and the indoor temperature display won't change. At the time, any indoor coil malfunctions will be neglected. When the outdoor defrosting finishes, the coil malfunction will still be neglected until the compressor has been started up for 30 seconds. The indoor temperature display will not change and the system operates at the cold air proof mode.

* Automatic heating temperature compensation: when the system enters the heating mode, the

temperature compensation (4°C) will be added. When the status is switched off, the compensation will be erased.

7.1.5 Strength operation

The system enters the mode after receiving the 'strength signal'.

Send strength operation signal to the outdoor system.

The mode change finishes the strength operation.

Entering 'mute', you can have normal operation or signal control such as timing to finish the strength operation.

When the system is at the automatic option with the strength/ mute function, if the system enters the cooling mode, the cooling strength/ mute function will be offered; if the system enters the heating mode, then the heating strength/ mute function will be offered; if the system enters the airflow mode, there will be no strength/ mute function.

7.1.6 Mute operation

The system enters the mode after receiving the 'mute signal'.

a. Mute heating: the airflow speed is slight, the system sends the mute signal to the outdoor system.

b. mute cooling: the airflow speed is slight, the system sends the mute signal to the outdoor system.

When the compressor operates, the airflow speed is mute speed. EEPROM is adaptable.

Mute operation can not work under the dehumidifying and airflow-sending operation.

7.1.7 Air refreshing (This model does not choose)

After receiving the signal from the remote control, (HV series: the background light of the 'health' logo is green. HS series: the 'health' indicator will be lighted). If the fan operates, the Nano-Aqua operates to realize the ions sending function.

If the indoor fan stops, the Nano-Aqua is turned off.

When the Nano-Aqua is turned off, if the air refreshing system is turned on, the Nano-Aqua will be turned on when the fan operates.

7.1.8 Timing

You can set 24 hours' on/off timing accordingly. After the setting, the timing indicator will be lightened. Also, the light will be turning off after the timing is finished. The followings are several timing methods.

1.system /on timing: The timing indicator will be lightened and the indoor system is under the waiting mode. The light will be turned off when the timing is finished and the rest of the system will operate under a normal condition. The timing starts since the last reception of the timing signal.

2.system /off timing: When the system is turned on, the timing indicator is lightened, the rest of the system will operated under a normal condition. When set time comes, the indicator light will be turned off and the system will be turned off. If you have set the dormant functions, the order of your settings will be operated according to the timing settings.

3 .system /on and off timing: The settings will be completed according to the orders..

7.1.9 Dormant operation

The dormant timing is an eight hours unadaptable one. The timing signs are shown on the V series board. (RC series show the dormant signal, the timing light is lighted on the 6 lights board).

2.1 Under the cooling/ dehumidifying operation, after the setting of the dormant operation, the set temperature will be raised for 1 centigrade after 1 hour's operation and will be raised for 1 centigrade 1 hour later. The system will keep this status for 6 hours and then close.

2.2 Under the heating mode, after the setting of the dormant operation, the setting temperature will fall 2 centigrade after 1 hour's operation and will fall 2 centigrade 1 hour later. 3 hours after the preceding operations, the set temperature will be raised for 1 centigrade and the system will keep this status for 3 hours and then close down.

2.3 During the dormant time, except the change of the system mode or a new press on the dormant setting keys, the timing of the 8 hours dormancy will take the first timing as the start time, any presses on other keys will not affect the original timing.

2.4 Indoor fan control under the dormant operation.

If the indoor fan is at the high speed before the dormant operation setting, the speed will be turned to medium after the setting. If the fan is at the medium speed before the dormant setting, the speed will be turned to low after the setting. If the fan is at the low speed before the dormant setting, the speed will not change.

7.1.10 Urgent on/off input

Press the urgency button the buzzer will ring. The system will enter the automatic mode if you don't press the button for more than 5 seconds.

Under the system off mode, if you press the urgency key for 5 to 10 seconds, the system will start the test operation.

Under the system off mode, if you press the urgency key for 10 to 15 seconds, the display screen will show the resume of the last malfunction.

If the system is under operation, the press on the urgency key will stop it.

Under the system off mode, the display screen will show automatic running sign.

Under the system off mode, the system will not receive the remote control signal if the press on the urgency key doesn't last for 15 seconds or if the key is loosened.

Urgency operation: If you press the urgency key for less than 5 seconds, the buzzer will ring when you press the on/off key. The system will enter the urgency operation when the urgency key is loosened.

The urgency operation is fully automatic.

Test operation.

The inlet temperature sensor doesn't work, the indoor fan and the indoor air direction board motor works synchronically. High speed airflow, cooling, outdoor system on, etc, will send the ambient temperature 30 centigrade and coil temperature 16 centigrade information to the outdoor system.

Test operation

The defrost protection of the evaporator doesn't work.

The temperature control doesn't work.

The test operation will be finished in 30 minutes.

The test operation can be stopped by the relative commands from the remote control.

7.1.11 Low load protection control

In order to prevent the frosting of the indoor heat interaction device, the outdoor system will be stopped if the indoor heat interaction temperature is below 1°C centigrade for 5 minutes, but the fan will continue to operate. The outdoor system will be started again when the heat interaction temperature is above 9 centigrade and the system has been stopped for 3 minutes. The malfunction will be stored in the malfunction resume and will not be revealed

7.1.12 High load protection control

The outdoor system will be stopped if the coil temperature is above 63°C for 2 minutes. The indoor fan will be controlled by the thermostat. The outdoor system can be restarted when the coil temperature is below 45°C and the system has been stopped for 3 minutes. The malfunction will be stored in the malfunction resume and will not be revealed.

7.1.13 Abnormal operation of indoor system

When the outdoor system operates, if the indoor system operation differs from the outdoor system, the abnormal operation malfunction will be reported. 10s after the report, the indoor system will be closed.

| Outdoor system mode | Indoor system mode | conflicts |
|---------------------|--------------------|-----------|
| cooling | heating | yes |
| cooling | cooling | no |
| cooling | airflow | no |
| heating | heating | no |
| heating | airflow | yes |
| heating | cooling | yes |

7.1.14 Malfunction list resume.

Nothing is presented if there is no code list.

The malfunction display will automatically finish in 10 seconds.

The remote control only receives the signals for stop. According to the signals, the malfunction resume presentation finishes.

The resume restores after the power supply restores.

7.1.15 Abnormality confirmation approaches

1. indoor temperature sensor abnormality:

Under the operation, the normal temperature ranges from 120 degree to -30 degree. When the temperature goes beyond this range, the abnormality can be confirmed. If the temperature goes back into the range, the system will automatically resume.

2 .indoor heat interaction sensor abnormality:

Under the operation, the normal temperature ranges from 120 degree to -30 degree. When the temperature goes beyond this range, the abnormality can be confirmed. If the temperature goes back into the range, the system will automatically resume.

3 .indoor malfunction:

Out door malfunction: When the indoor system receives the outdoor malfunction codes, it will store the code into E2 for the malfunction list resume. The indoor system will continue to operate according to the original status, the malfunction code will not be revealed or processed.

4. transmission abnormality:

If the indoor system can't receive the outdoor system for 8 minutes, the communication abnormality can be confirmed and reported and the outdoor system will be stopped.

7.1.16 Single indoor system operation

* Enter condition: First, set the high speed airflow and 30 centigrade set temperature, then press the dormant keys for 6 times within 7 seconds, the system will feedback with 6 rings.

* After the system enters the separate indoor system operation mode, the indoor system will operate according to the set mode and neglect the communication signals of the outdoor system. However, it has to send signals to the outdoor system.

* Quitting condition: This mode can be quitted after receiving the quitting signal from the remote control or urgency system. The indoor system thus can quit the single operation mode.

7.1.17 Power cut compensation

* Entering condition: Press dormant button 10 times within 7 second, the buzzer will ring 4 times and the present system status will be stored into the EEPROM of the indoor system.

* After entering the power cut compensation mode, the processing of the indoor system should be as the followings:

Remote control urgency signal: operate according to the remote control and the urgent conditions, the present status will be stored into the EEPROM of the indoor system.

* Quitting conditions: Press dormant button 10 times within 7 seconds and the buzzer will ring twice.

7.1.18 Test program

First, connect the test program terminal on the mainboard. Then connect the system to the power circuit. The test program will operate as follows.

HV series display: The buzzer rings for one time—the signal will be sent to outdoor system for 0.5 second—the violet is sent for 0.5-- the background light turns to white—the back ground light turns to white—the background light turns to white—the background light is fully lighted for 0.5 second—LED screen lights for 0.5 second— the step-in motor fully output for 0.5 second—then the motor doesn't output for 0.5 second—the motor fully output again for 0.5 second. The test program finishes.

7.1.19 Time cutting function:

Connect the test program terminal on the mainboard after connecting the system to the power circuit. The CPU of the main control will be 60 times faster.

7.2 Value of thermistor

Room sensor and Pipe Sensor

R25°C=10K Ω \pm 2%B25°C/50°C=3700K \pm 2%

| Temp.((°C)) | Max.(K Ω) | Normal(K Ω) | Min.(K Ω) | Tolerance(°C) | |
|-------------|-------------------|---------------------|-------------------|---------------|------|
| | | | | | |
| -30 | 165.2170 | 147.9497 | 132.3678 | -1.94 | 1.75 |
| -29 | 155.5754 | 139.5600 | 125.0806 | -1.93 | 1.74 |
| -28 | 146.5609 | 131.7022 | 118.2434 | -1.91 | 1.73 |
| -27 | 138.1285 | 124.3392 | 111.8256 | -1.89 | 1.71 |
| -26 | 130.2371 | 117.4366 | 105.7989 | -1.87 | 1.70 |
| -25 | 122.8484 | 110.9627 | 100.1367 | -1.85 | 1.69 |
| -24 | 115.9272 | 104.8882 | 94.8149 | -1.83 | 1.67 |
| -23 | 109.4410 | 99.1858 | 89.8106 | -1.81 | 1.66 |
| -22 | 103.3598 | 93.8305 | 85.1031 | -1.80 | 1.64 |
| -21 | 97.6556 | 88.7989 | 80.6728 | -1.78 | 1.63 |
| -20 | 92.3028 | 84.0695 | 76.5017 | -1.76 | 1.62 |
| -19 | 87.2775 | 79.6222 | 72.5729 | -1.74 | 1.60 |
| -18 | 82.5577 | 75.4384 | 68.8710 | -1.72 | 1.59 |
| -17 | 78.1230 | 71.5010 | 65.3815 | -1.70 | 1.57 |
| -16 | 73.9543 | 67.7939 | 62.0907 | -1.68 | 1.55 |
| -15 | 70.0342 | 64.3023 | 58.9863 | -1.66 | 1.54 |
| -14 | 66.3463 | 61.0123 | 56.0565 | -1.64 | 1.52 |
| -13 | 62.8755 | 57.9110 | 53.2905 | -1.62 | 1.51 |
| -12 | 59.6076 | 54.9866 | 50.6781 | -1.60 | 1.49 |
| -11 | 56.5296 | 52.2278 | 48.2099 | -1.58 | 1.47 |
| -10 | 53.6294 | 49.6244 | 45.8771 | -1.56 | 1.46 |
| -9 | 50.8956 | 47.1666 | 43.6714 | -1.54 | 1.44 |
| -8 | 48.3178 | 44.8454 | 41.5851 | -1.51 | 1.42 |
| -7 | 45.8860 | 42.6525 | 39.6112 | -1.49 | 1.40 |
| -6 | 43.5912 | 40.5800 | 37.7429 | -1.47 | 1.39 |
| -5 | 41.4249 | 38.6207 | 35.9739 | -1.45 | 1.37 |
| -4 | 39.3792 | 36.7676 | 34.2983 | -1.43 | 1.35 |
| -3 | 37.4465 | 35.0144 | 32.7108 | -1.41 | 1.33 |
| -2 | 35.6202 | 33.3552 | 31.2062 | -1.38 | 1.31 |
| -1 | 33.8936 | 31.7844 | 29.7796 | -1.36 | 1.29 |
| 0 | 32.2608 | 30.2968 | 28.4267 | -1.34 | 1.28 |
| 1 | 30.7162 | 28.8875 | 27.1431 | -1.32 | 1.26 |
| 2 | 29.2545 | 27.5519 | 25.9250 | -1.29 | 1.24 |
| 3 | 27.8708 | 26.2858 | 24.7686 | -1.27 | 1.22 |
| 4 | 26.5605 | 25.0851 | 23.6704 | -1.25 | 1.20 |
| 5 | 25.3193 | 23.9462 | 22.6273 | -1.23 | 1.18 |
| 6 | 24.1432 | 22.8656 | 21.6361 | -1.20 | 1.16 |
| 7 | 23.0284 | 21.8398 | 20.6939 | -1.18 | 1.14 |
| 8 | 21.9714 | 20.8659 | 19.7982 | -1.15 | 1.12 |
| 9 | 20.9688 | 19.9409 | 18.9463 | -1.13 | 1.09 |

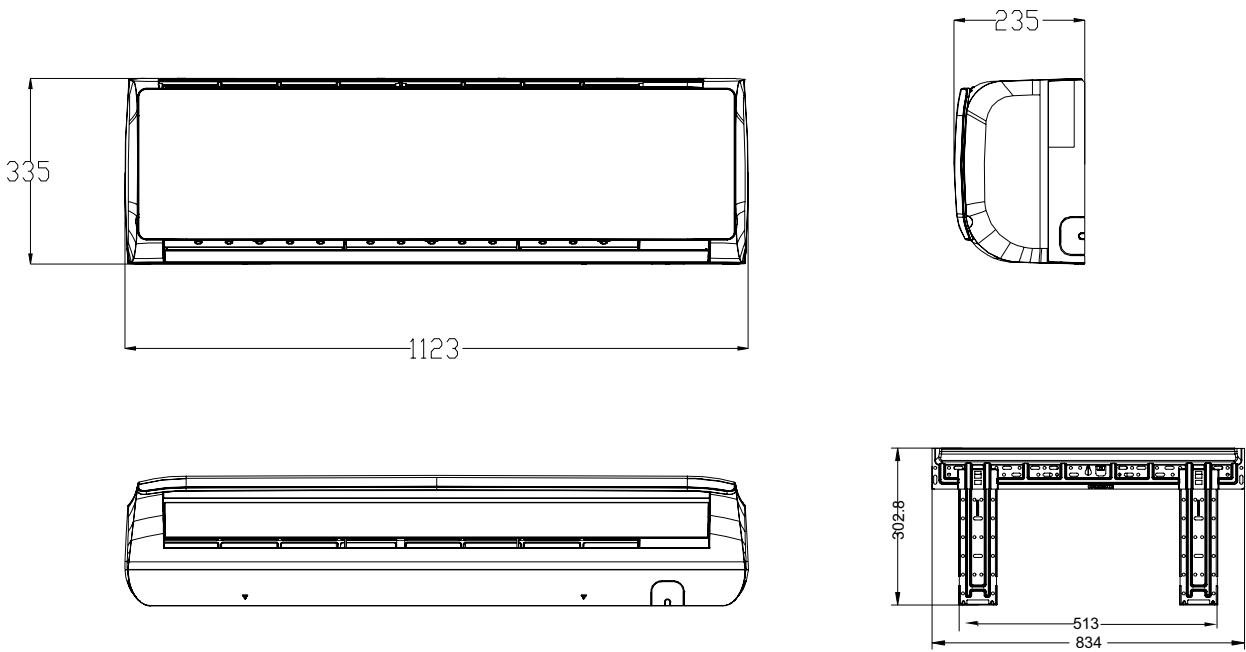
| | | | | | |
|----|---------|---------|---------|-------|------|
| 10 | 20.0176 | 19.0621 | 18.1358 | -1.11 | 1.07 |
| 11 | 19.1149 | 18.2270 | 17.3646 | -1.08 | 1.05 |
| 12 | 18.2580 | 17.4331 | 16.6305 | -1.06 | 1.03 |
| 13 | 17.4442 | 16.6782 | 15.9315 | -1.03 | 1.01 |
| 14 | 16.6711 | 15.9601 | 15.2657 | -1.01 | 0.99 |
| 15 | 15.9366 | 15.2770 | 14.6315 | -0.98 | 0.96 |
| 16 | 15.2385 | 14.6268 | 14.0271 | -0.96 | 0.94 |
| 17 | 14.5748 | 14.0079 | 13.4510 | -0.93 | 0.92 |
| 18 | 13.9436 | 13.4185 | 12.9017 | -0.91 | 0.90 |
| 19 | 13.3431 | 12.8572 | 12.3778 | -0.88 | 0.87 |
| 20 | 12.7718 | 12.3223 | 11.8780 | -0.86 | 0.85 |
| 21 | 12.2280 | 11.8126 | 11.4011 | -0.83 | 0.83 |
| 22 | 11.7102 | 11.3267 | 10.9459 | -0.81 | 0.80 |
| 23 | 11.2172 | 10.8634 | 10.5114 | -0.78 | 0.78 |
| 24 | 10.7475 | 10.4216 | 10.0964 | -0.75 | 0.75 |
| 25 | 10.3000 | 10.0000 | 9.7000 | -0.75 | 0.75 |
| 26 | 9.8975 | 9.5974 | 9.2980 | -0.76 | 0.76 |
| 27 | 9.5129 | 9.2132 | 8.9148 | -0.80 | 0.80 |
| 28 | 9.1454 | 8.8465 | 8.5496 | -0.84 | 0.83 |
| 29 | 8.7942 | 8.4964 | 8.2013 | -0.87 | 0.86 |
| 30 | 8.4583 | 8.1621 | 7.8691 | -0.91 | 0.90 |
| 31 | 8.1371 | 7.8428 | 7.5522 | -0.95 | 0.93 |
| 32 | 7.8299 | 7.5377 | 7.2498 | -0.98 | 0.97 |
| 33 | 7.5359 | 7.2461 | 6.9611 | -1.02 | 1.00 |
| 34 | 7.2546 | 6.9673 | 6.6854 | -1.06 | 1.04 |
| 35 | 6.9852 | 6.7008 | 6.4222 | -1.10 | 1.07 |
| 36 | 6.7273 | 6.4459 | 6.1707 | -1.13 | 1.11 |
| 37 | 6.4803 | 6.2021 | 5.9304 | -1.17 | 1.14 |
| 38 | 6.2437 | 5.9687 | 5.7007 | -1.21 | 1.18 |
| 39 | 6.0170 | 5.7454 | 5.4812 | -1.25 | 1.22 |
| 40 | 5.7997 | 5.5316 | 5.2712 | -1.29 | 1.25 |
| 41 | 5.5914 | 5.3269 | 5.0704 | -1.33 | 1.29 |
| 42 | 5.3916 | 5.1308 | 4.8783 | -1.37 | 1.33 |
| 43 | 5.2001 | 4.9430 | 4.6944 | -1.41 | 1.36 |
| 44 | 5.0163 | 4.7630 | 4.5185 | -1.45 | 1.40 |
| 45 | 4.8400 | 4.5905 | 4.3500 | -1.49 | 1.44 |
| 46 | 4.6708 | 4.4252 | 4.1887 | -1.53 | 1.47 |
| 47 | 4.5083 | 4.2666 | 4.0342 | -1.57 | 1.51 |
| 48 | 4.3524 | 4.1145 | 3.8862 | -1.61 | 1.55 |
| 49 | 4.2026 | 3.9686 | 3.7443 | -1.65 | 1.59 |
| 50 | 4.0588 | 3.8287 | 3.6084 | -1.70 | 1.62 |
| 51 | 3.9206 | 3.6943 | 3.4780 | -1.74 | 1.66 |
| 52 | 3.7878 | 3.5654 | 3.3531 | -1.78 | 1.70 |

| | | | | | |
|----|--------|--------|--------|-------|------|
| 53 | 3.6601 | 3.4416 | 3.2332 | -1.82 | 1.74 |
| 54 | 3.5374 | 3.3227 | 3.1183 | -1.87 | 1.78 |
| 55 | 3.4195 | 3.2085 | 3.0079 | -1.91 | 1.82 |
| 56 | 3.3060 | 3.0989 | 2.9021 | -1.95 | 1.85 |
| 57 | 3.1969 | 2.9935 | 2.8005 | -2.00 | 1.89 |
| 58 | 3.0919 | 2.8922 | 2.7029 | -2.04 | 1.93 |
| 59 | 2.9909 | 2.7948 | 2.6092 | -2.08 | 1.97 |
| 60 | 2.8936 | 2.7012 | 2.5193 | -2.13 | 2.01 |
| 61 | 2.8000 | 2.6112 | 2.4328 | -2.17 | 2.05 |
| 62 | 2.7099 | 2.5246 | 2.3498 | -2.22 | 2.09 |
| 63 | 2.6232 | 2.4413 | 2.2700 | -2.26 | 2.13 |
| 64 | 2.5396 | 2.3611 | 2.1932 | -2.31 | 2.17 |
| 65 | 2.4591 | 2.2840 | 2.1195 | -2.36 | 2.21 |
| 66 | 2.3815 | 2.2098 | 2.0486 | -2.40 | 2.25 |
| 67 | 2.3068 | 2.1383 | 1.9803 | -2.45 | 2.29 |
| 68 | 2.2347 | 2.0695 | 1.9147 | -2.49 | 2.34 |
| 69 | 2.1652 | 2.0032 | 1.8516 | -2.54 | 2.38 |
| 70 | 2.0983 | 1.9393 | 1.7908 | -2.59 | 2.42 |
| 71 | 2.0337 | 1.8778 | 1.7324 | -2.63 | 2.46 |
| 72 | 1.9714 | 1.8186 | 1.6761 | -2.68 | 2.50 |
| 73 | 1.9113 | 1.7614 | 1.6219 | -2.73 | 2.54 |
| 74 | 1.8533 | 1.7064 | 1.5697 | -2.78 | 2.58 |
| 75 | 1.7974 | 1.6533 | 1.5194 | -2.83 | 2.63 |
| 76 | 1.7434 | 1.6021 | 1.4710 | -2.88 | 2.67 |
| 77 | 1.6913 | 1.5528 | 1.4243 | -2.92 | 2.71 |
| 78 | 1.6409 | 1.5051 | 1.3794 | -2.97 | 2.75 |
| 79 | 1.5923 | 1.4592 | 1.3360 | -3.02 | 2.80 |
| 80 | 1.5454 | 1.4149 | 1.2942 | -3.07 | 2.84 |
| 81 | 1.5000 | 1.3721 | 1.2540 | -3.12 | 2.88 |
| 82 | 1.4562 | 1.3308 | 1.2151 | -3.17 | 2.93 |
| 83 | 1.4139 | 1.2910 | 1.1776 | -3.22 | 2.97 |
| 84 | 1.3730 | 1.2525 | 1.1415 | -3.27 | 3.01 |
| 85 | 1.3335 | 1.2153 | 1.1066 | -3.32 | 3.06 |
| 86 | 1.2953 | 1.1794 | 1.0730 | -3.38 | 3.10 |
| 87 | 1.2583 | 1.1448 | 1.0405 | -3.43 | 3.15 |
| 88 | 1.2226 | 1.1113 | 1.0092 | -3.48 | 3.19 |
| 89 | 1.1880 | 1.0789 | 0.9789 | -3.53 | 3.24 |
| 90 | 1.1546 | 1.0476 | 0.9497 | -3.58 | 3.28 |
| 91 | 1.1223 | 1.0174 | 0.9215 | -3.64 | 3.33 |
| 92 | 1.0910 | 0.9882 | 0.8942 | -3.69 | 3.37 |
| 93 | 1.0607 | 0.9599 | 0.8679 | -3.74 | 3.42 |
| 94 | 1.0314 | 0.9326 | 0.8424 | -3.80 | 3.46 |
| 95 | 1.0030 | 0.9061 | 0.8179 | -3.85 | 3.51 |

| | | | | | |
|-----|--------|--------|--------|-------|------|
| 96 | 0.9756 | 0.8806 | 0.7941 | -3.90 | 3.55 |
| 97 | 0.9490 | 0.8558 | 0.7711 | -3.96 | 3.60 |
| 98 | 0.9232 | 0.8319 | 0.7489 | -4.01 | 3.64 |
| 99 | 0.8983 | 0.8088 | 0.7275 | -4.07 | 3.69 |
| 100 | 0.8741 | 0.7863 | 0.7067 | -4.12 | 3.74 |
| 101 | 0.8507 | 0.7646 | 0.6867 | -4.18 | 3.78 |
| 102 | 0.8281 | 0.7436 | 0.6672 | -4.23 | 3.83 |
| 103 | 0.8061 | 0.7233 | 0.6484 | -4.29 | 3.88 |
| 104 | 0.7848 | 0.7036 | 0.6303 | -4.34 | 3.92 |
| 105 | 0.7641 | 0.6845 | 0.6127 | -4.40 | 3.97 |
| 106 | 0.7441 | 0.6661 | 0.5957 | -4.46 | 4.02 |
| 107 | 0.7247 | 0.6482 | 0.5792 | -4.51 | 4.07 |
| 108 | 0.7059 | 0.6308 | 0.5632 | -4.57 | 4.12 |
| 109 | 0.6877 | 0.6140 | 0.5478 | -4.63 | 4.16 |
| 110 | 0.6700 | 0.5977 | 0.5328 | -4.69 | 4.21 |
| 111 | 0.6528 | 0.5820 | 0.5183 | -4.74 | 4.26 |
| 112 | 0.6361 | 0.5667 | 0.5043 | -4.80 | 4.31 |
| 113 | 0.6200 | 0.5518 | 0.4907 | -4.86 | 4.36 |
| 114 | 0.6043 | 0.5374 | 0.4775 | -4.92 | 4.41 |
| 115 | 0.5891 | 0.5235 | 0.4648 | -4.98 | 4.45 |
| 116 | 0.5743 | 0.5100 | 0.4524 | -5.04 | 4.50 |
| 117 | 0.5600 | 0.4968 | 0.4404 | -5.10 | 4.55 |
| 118 | 0.5460 | 0.4841 | 0.4288 | -5.16 | 4.60 |
| 119 | 0.5325 | 0.4717 | 0.4175 | -5.22 | 4.65 |
| 120 | 0.5194 | 0.4597 | 0.4066 | -5.28 | 4.70 |

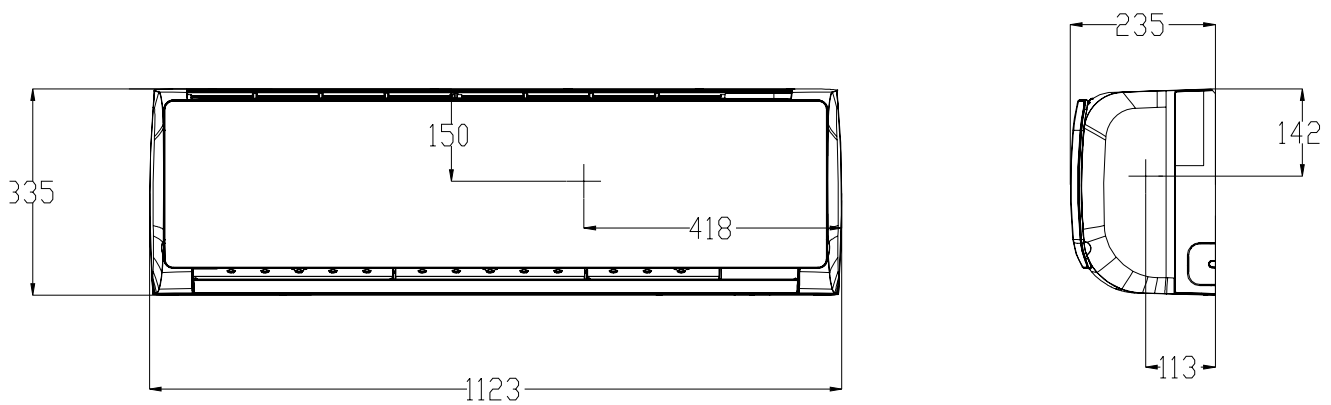
8. Dimensional

unit:mm



9. Center of gravity

unit:mm



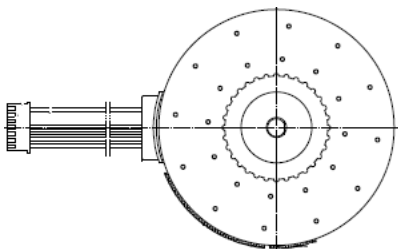
10. Service Diagnosis

10.1 Caution for Diagnosis

The operation lamp flashes when any of the following errors is detected.

1. When a protection device of the indoor or outdoor unit is activated or when the thermistor malfunctions, disabling equipment operation.
2. When a signal transmission error occurs between the indoor and outdoor units. In either case, conduct the diagnostic procedure described in the following pages.

Parameter of primary electronic appliance

| NO | Name | Parameter | Picture |
|----|-----------|--|--|
| 1 | Fan motor | Rated voltage: DC310V Rated current: 0.2A Rated frequency: – |  |

10.2 Problem Symptoms and Measures

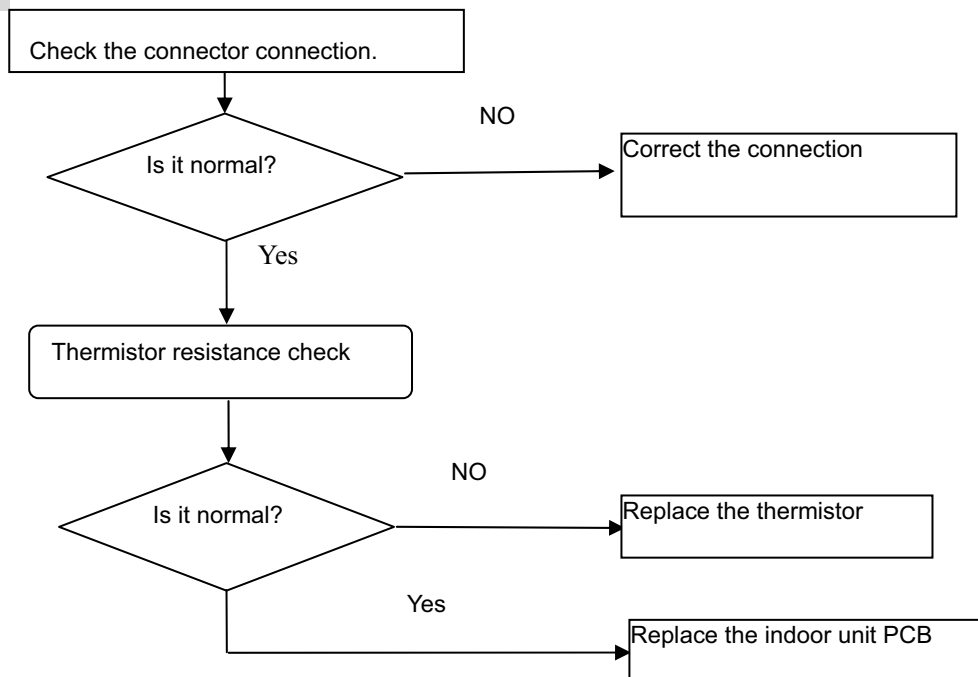
| Symptom | Check Item | Details of Measure |
|---|---|---|
| None of the units operates | Check the power supply. | Check to make sure that the rated voltage is supplied. |
| | Check the indoor PCB | Check to make sure that the indoor PCB is broken |
| Operation sometimes stops. | Check the power supply. | A power failure of 2 to 10 cycles can stop air conditioner operation. |
| Equipment operates but does not cool, or does not heat (only for heat pump) | Check for faulty operation of the electronic expansion valve. | Set the units to cooling operation, and compare the temperatures of the liquid side connection pipes of the connection section among rooms to check the opening and closing operation of the electronic expansion valves of the individual units. |
| | Diagnosis by service port pressure and operating current. | Check for insufficient gas. |
| Large operating noise and vibrations | Check the installation condition. | Check to make sure that the required spaces for installation (specified in the Technical Guide, etc.) are provided. |

10.3 Error Codes and Description indoor display

| | Code indication | | | fault description | Reference Page |
|---------------------|---|--|----------------------------|--|----------------|
| | Indoor displaying panel code indication | | Outdoor (LED1 flash times) | | |
| | Other display | Only For 498 and 498A display (Red/Green Time Run □On ★Flash ■Off ,) | | | |
| Indoor and Outdoor | E7 | ■ ■ ★ | 15 | Communication fault between indoor and outdoor units | Page .39 |
| Indoor Malfunction | E1 | ★ ■ ■ | -- | Room temperature sensor failure | Page 29 |
| | E2 | ★ □ □ | -- | Heat-exchange sensor failure | Page 29 |
| | E4 | ★ □ ★ | -- | Indoor EEPROM error | Page 30. |
| | E9 | ★ ★ ★ | 21 | High-work intense protection | Page 42 |
| | E14 | ■ □ ★ | -- | Indoor fan motor malfunction | Page 31 |
| Outdoor Malfunction | F12 | ■ ★ ■ | 1 | Outdoor EEPROM error | Page .30 |
| | F1 | □ ★ ★ | 2 | The protection of IPM | Page .34 |
| | F22 | ★ ★ ■ | 3 | Overcurrent protection of AC electricity for the outdoor model | Page .35 |
| | F3 | ■ ★ ■ | 4 | Communication fault between the IPM and outdoor PCB | Page.36 |
| | F19 | ■ ★ □ | 6 | Power voltage is too high or low | Page .37 |
| | F4 | ■ ★ ■ | 8 | Overheat protection for Discharge temperature | Page .38 |
| | F21 | □ □ ★ | 10 | Defrost temperature sensor failure | Page 29 |
| | F7 | ■ ★ ■ | 11 | Suction temperature sensor failure | Page.29 |
| | F6 | □ ★ ■ | 12 | Ambient temperature sensor failure | Page 29 |
| | F25 | ★ □ ■ | 13 | Discharge temperature sensor failure | Page 29 |
| | F11 | ■ ★ ■ | 18 | deviate from the normal for the compressor | Page .41 |
| | F28 | ■ ★ ■ | 19 | Loop of the station detect error | Page .41 |
| | F2 | ■ ★ □ | 24 | Overcurrent of the compressor | Page .35 |
| | F8 | ■ ★ □ | 9 | Outdoor DC fan motor fault | Page 32 |
| | F23 | ■ ★ □ | 25 | Overcurrent protection for single-phase of the compressor | Page .35 |

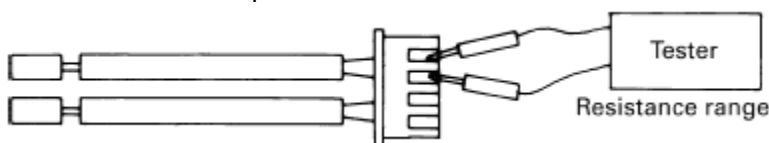
10.3.1 Thermistor or Related Abnormality

| | |
|---------------------------------|--|
| Indoor Display | <ul style="list-style-type: none"> ★ ■ ■ / E1: Room temperature sensor failure ★ □ □ / E2: Heat-exchange sensor failure |
| Outdoor display | <ul style="list-style-type: none"> LED1 flash 10 times: Defrost temperature sensor failure LED1 flash 11 times: Suction temperature sensor failure LED1 flash 12 times: Ambient temperature sensor failure LED1 flash 13 times: Discharge temperature sensor failure |
| Method of Malfunction Detection | The temperatures detected by the thermistors are used to determine thermistor errors |
| Malfunction Decision Conditions | <p>When the thermistor input is more than 4.92V or less than 0.08V during compressor operation.</p> <ul style="list-style-type: none"> ● Note: The values vary slightly in some models |
| Supposed Causes | <ul style="list-style-type: none"> ■ Faulty connector connection ■ Faulty thermistor ■ Faulty PCB |
| Troubleshooting | <p>* Caution Be sure to turn off power switch before connect or disconnect connector, or else parts damage may be occurred.</p> |



Thermistor resistance check method:

Remove the connector of the thermistor on the PCB, and measure the resistance of thermistor using tester. The relationship between normal temperature and resistance is shown in the value of indoor thermistor.



10.3.2 EEPROM abnormal

| | |
|---------------------------------------|---|
| Indoor Display Indoor display | <p>★ □ ★/ E4: Indoor EEPROM error</p> <p>■ ★ ■/ F12: Outdoor EEPROM error; Outdoor LED1 flash 1 times</p> |
| Method of Malfunction Detection | The Data detected by the EEPROM are used to determine MCU |
| Malfunction Decision Conditions | When the data of EEPROM is error or the EEPROM is damaged |
| Supposed Causes | <ul style="list-style-type: none"> ■ Faulty EEPROM data ■ Faulty EEPROM ■ Faulty PCB |
| Troubleshooting | * Caution Be sure to turn off power switch before connect or disconnect connector, or parts damage may be occurred. |

Replace the indoor or outdoor mainboard.

10.3.3 Indoor AC fan motor malfunction

Indoor Display ■ □ ★ / E14

Method of Malfunction Detection

The rotation speed detected by the Hall IC during fan motor operation is used to determine abnormal fan motor operation

Malfunction Decision Conditions

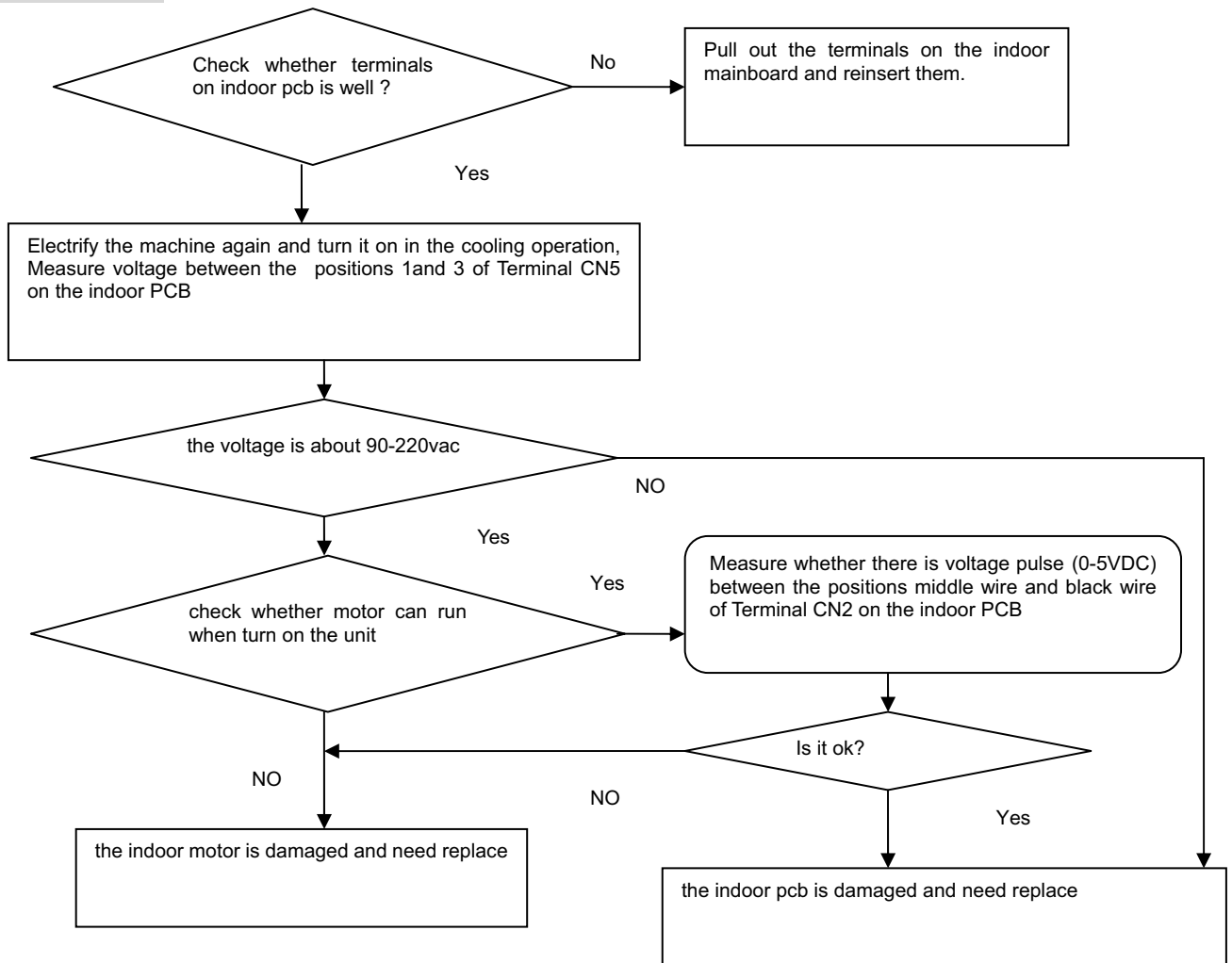
when the detected rotation feedback signal don't received in 2 minutes

Supposed Causes

- Operation halt due to breaking of wire inside the fan motor.
- Fan motor overheat protection
- Operation halt due to breaking of the fan motor lead wires
- Detection error due to faulty indoor unit PCB

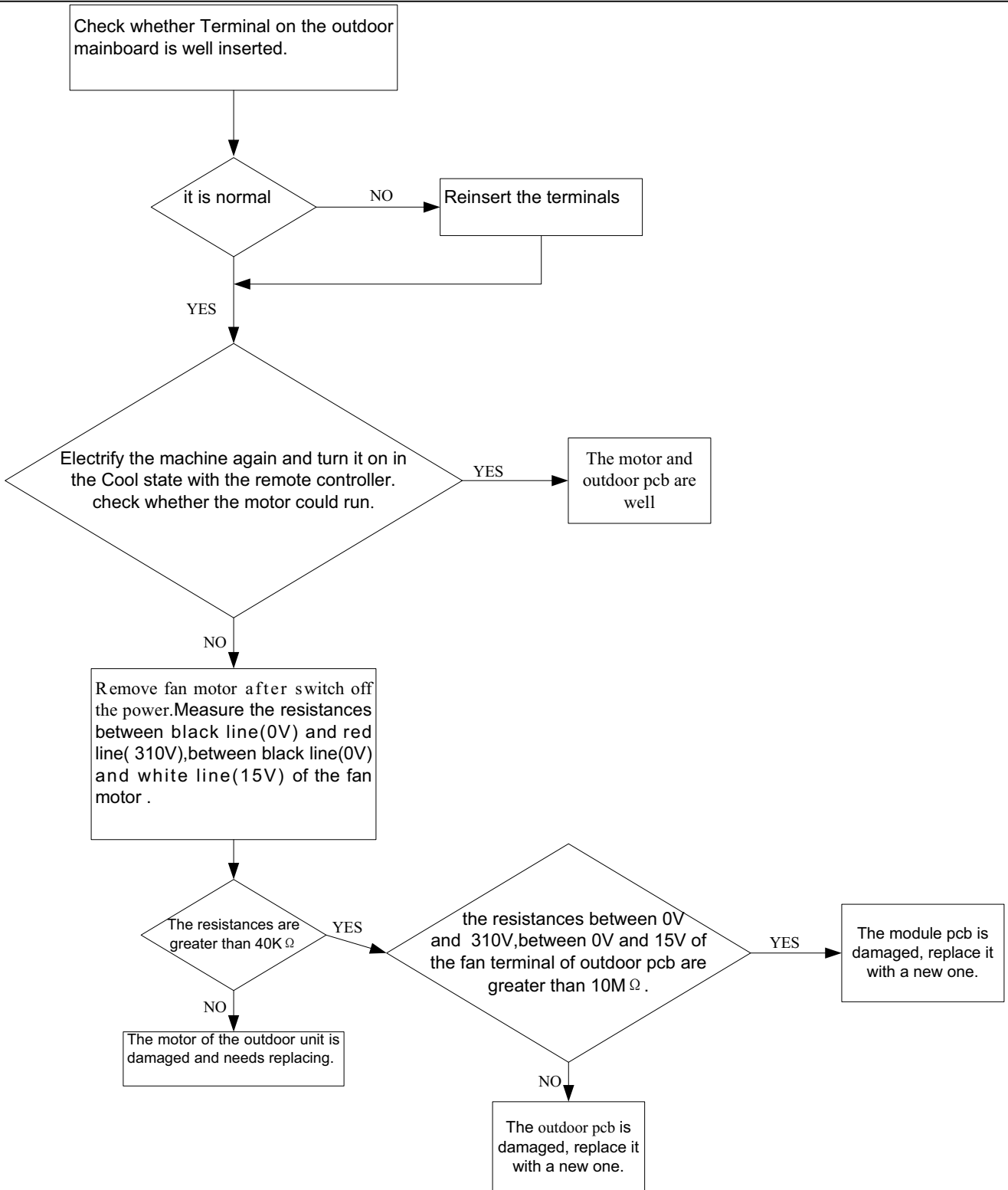
Troubleshooting

* Caution Be sure to turn off power switch before connect or disconnect connector, or else parts damage may be occurred.



10.3.4 Outdoor DC fan motor fault

| | |
|---------------------------------|---|
| Outdoor display | ■ ★ □/ F8 LED1 flash 9 times |
| Method of | DC fan motor is detected by checking the fan running condition and so on |
| Malfunction Detection | |
| Malfunction Decision Conditions | when the data of EEPROM is error or the EEPROM is damaged |
| Supposed Causes | <ul style="list-style-type: none"> ■ DC fan motor protection dues to the DC fan motor faulty ■ DC fan motor protection dues to faulty PCB |
| Troubleshooting | * Caution Be sure to turn off power switch before connect or disconnect connector, or parts damage may be occurred. |



10.3.5 IPM protection

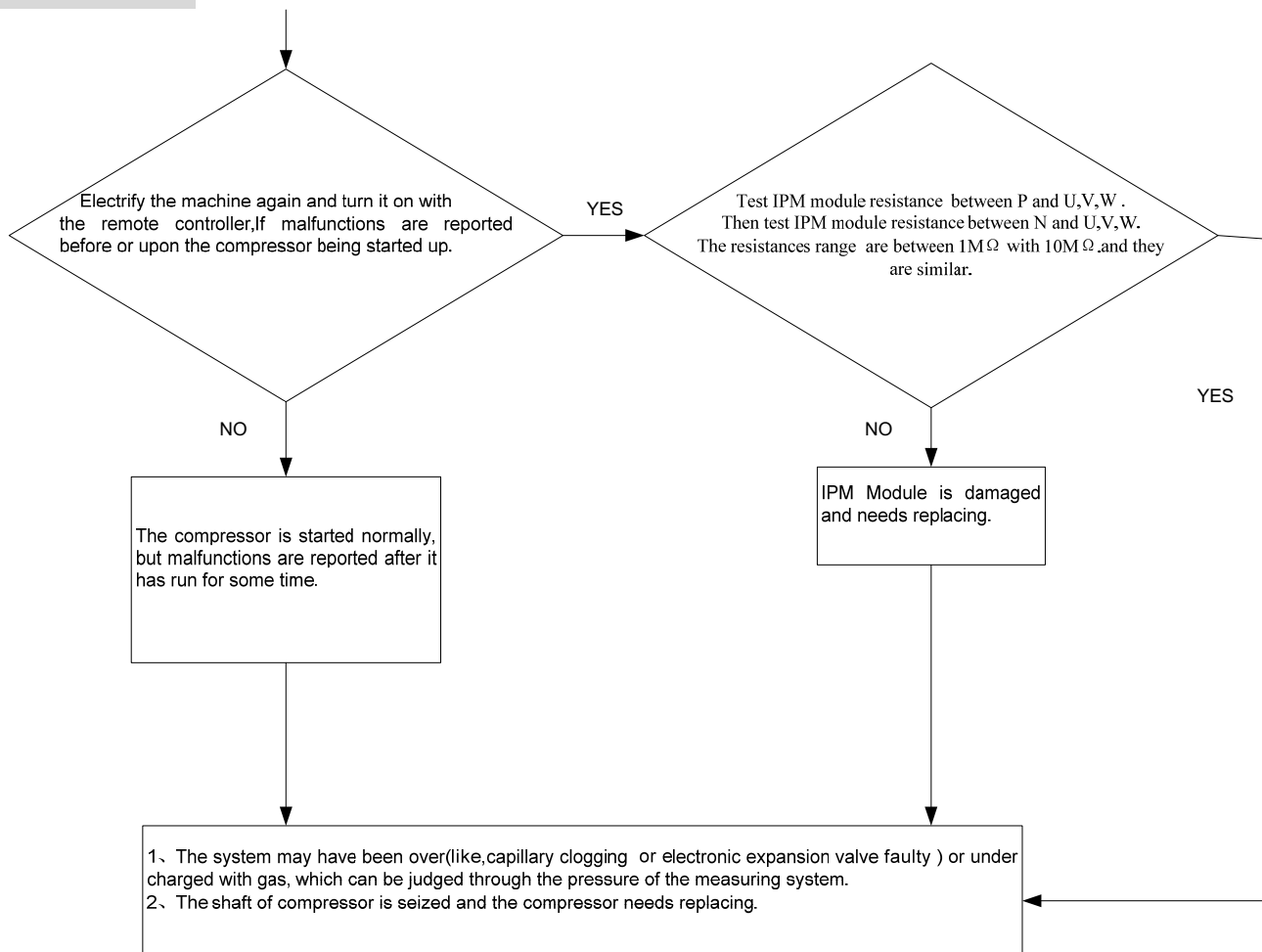
Outdoor display: ★ ★/ F1 LED1 flash 2 times

Method of Malfunction Detection IPM protection is detected by checking the compressor running condition and so on

- Malfunction Decision Conditions**
- The system leads to IPM protection due to over current
 - The compressor faulty leads to IPM protection
 - circuit component of IPM is broken and led to IPM protection

- Supposed Causes**
- IPM protection dues to the compressor faulty
 - IPM protection dues to faulty PCB of IPM module
 - Compressor wiring disconnected

Troubleshooting * Caution Be sure to turn off power switch before connect or disconnect connector, or else parts damage may be occurred.



10.3.6 Over-current of the compressor

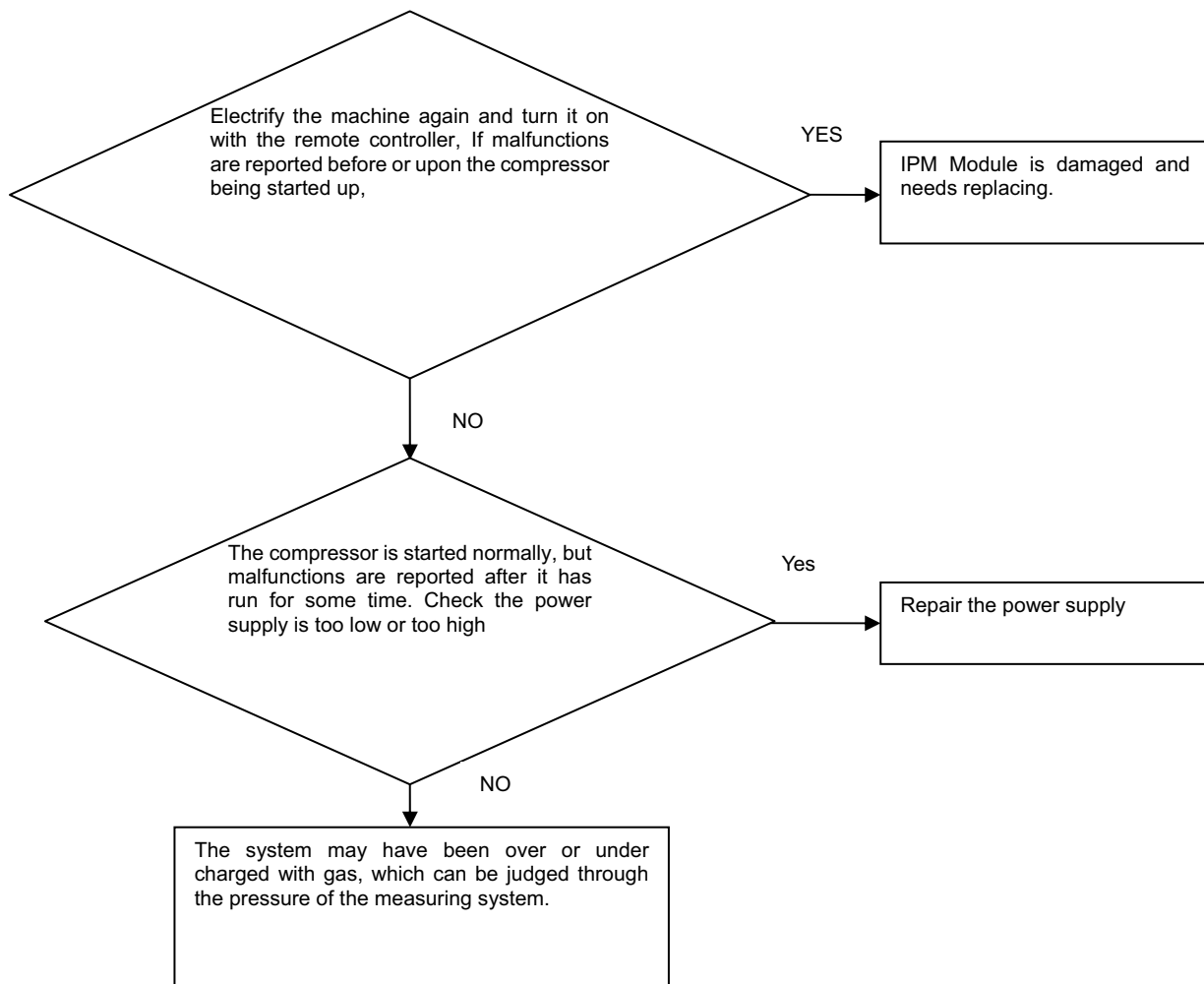
Outdoor Display: _____
 ■ ★ □/ F2 LED1 flash 3 or 24 or 25 times

Method of Malfunction Detection _____
 The current of the compressor is too high

Malfunction Decision Conditions _____
 when the IPM Module is damaged or the compressor is damaged.
 power supply voltage is too low or too high

Supposed Causes _____
 ■ Faulty IPM Module
 ■ Faulty compressor
 ■ Faulty power supply

Troubleshooting _____
 * Caution Be sure to turn off power switch before connect or disconnect connector, or parts damage may be occurred.



10.3.7 The communication fault between IPM and outdoor PCB

Outdoor display: ■ ★ ■ / F3 LED1 flash 4 times

Method of Malfunction Detection

Communication is detected by checking the IPM module and the outdoor PCB

Malfunction Decision Conditions

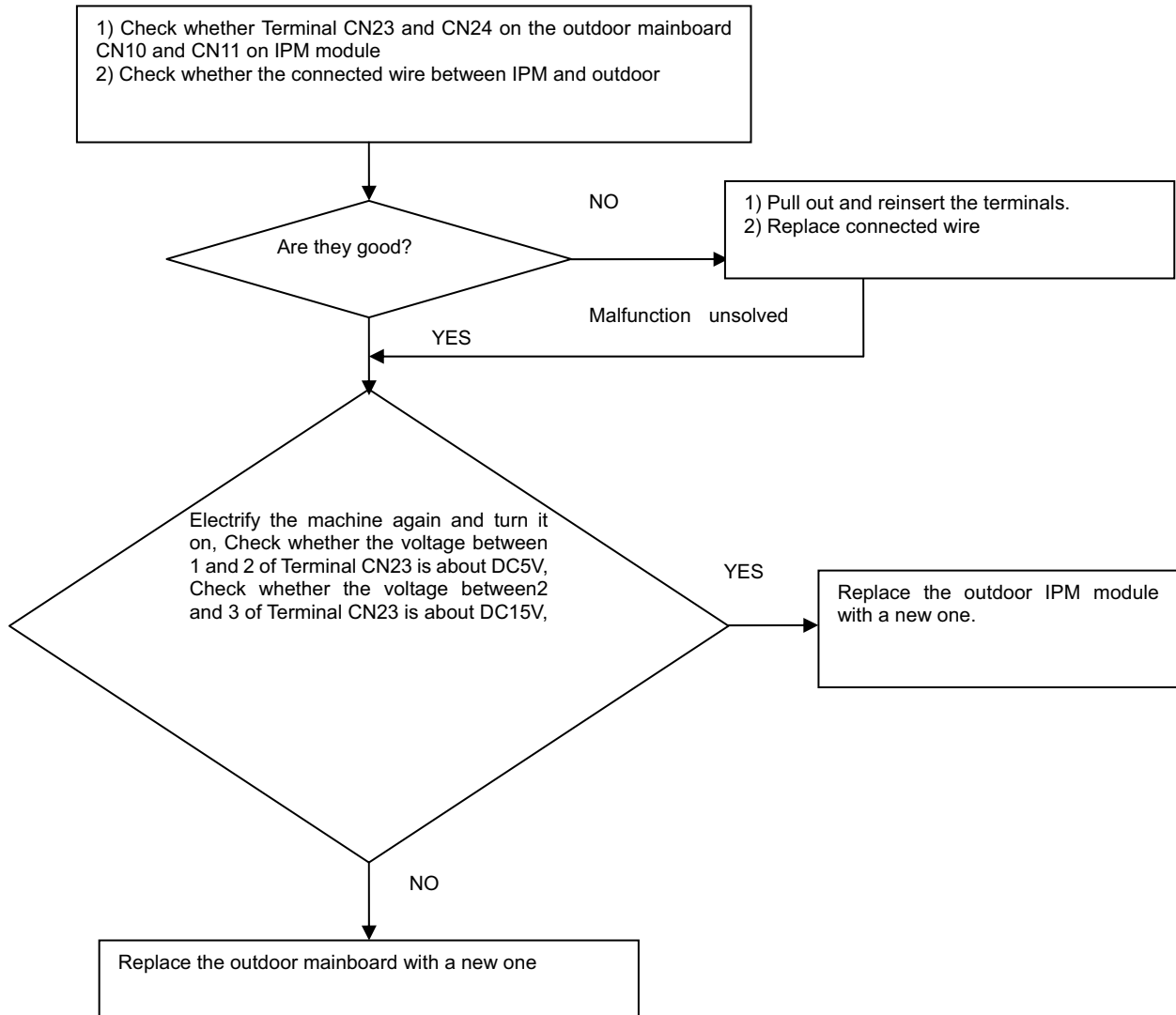
- The outdoor PCB broken leads to communication fault
- The IPM module broken leads to communication fault

Supposed Causes

- The outdoor PCB is broken
- The IPM module is broken
- Communication wiring disconnected

Troubleshooting

* Caution Be sure to turn off power switch before connect or disconnect connector, or else parts damage may be occurred.



10.3.8 Power Supply Over or under voltage fault

Outdoor display: ■ ★ □ / F19 LED1 flash 6 times The power supply is over voltage

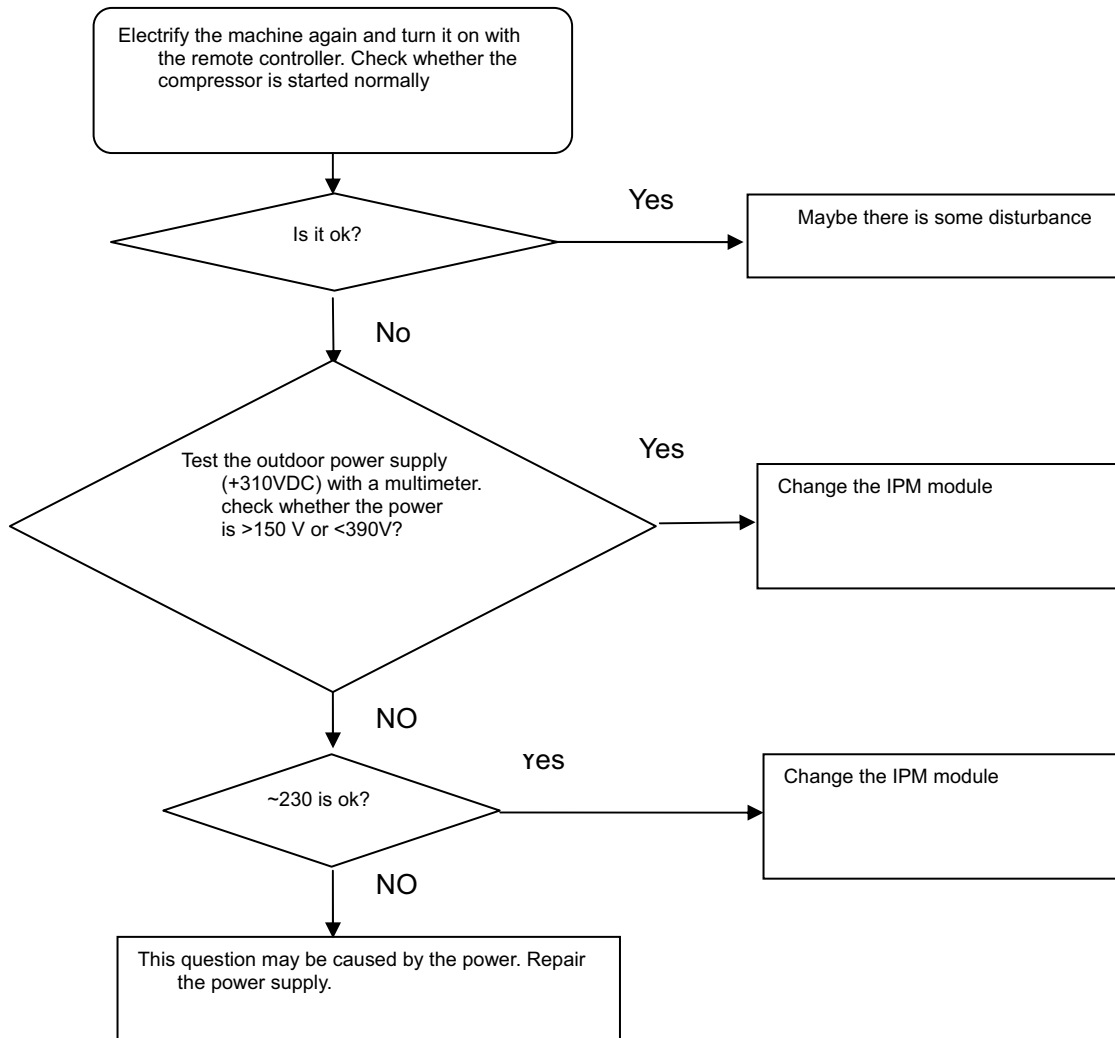
Method of Malfunction Detection An abnormal voltage rise or fall is detected by checking the specified voltage detection circuit.

Malfunction Decision Conditions An voltage signal is fed from the voltage detection circuit to the microcomputer

Supposed Causes

- Supply voltage not as specified
- the IPM module is broken
- the outdoor PCB is broken

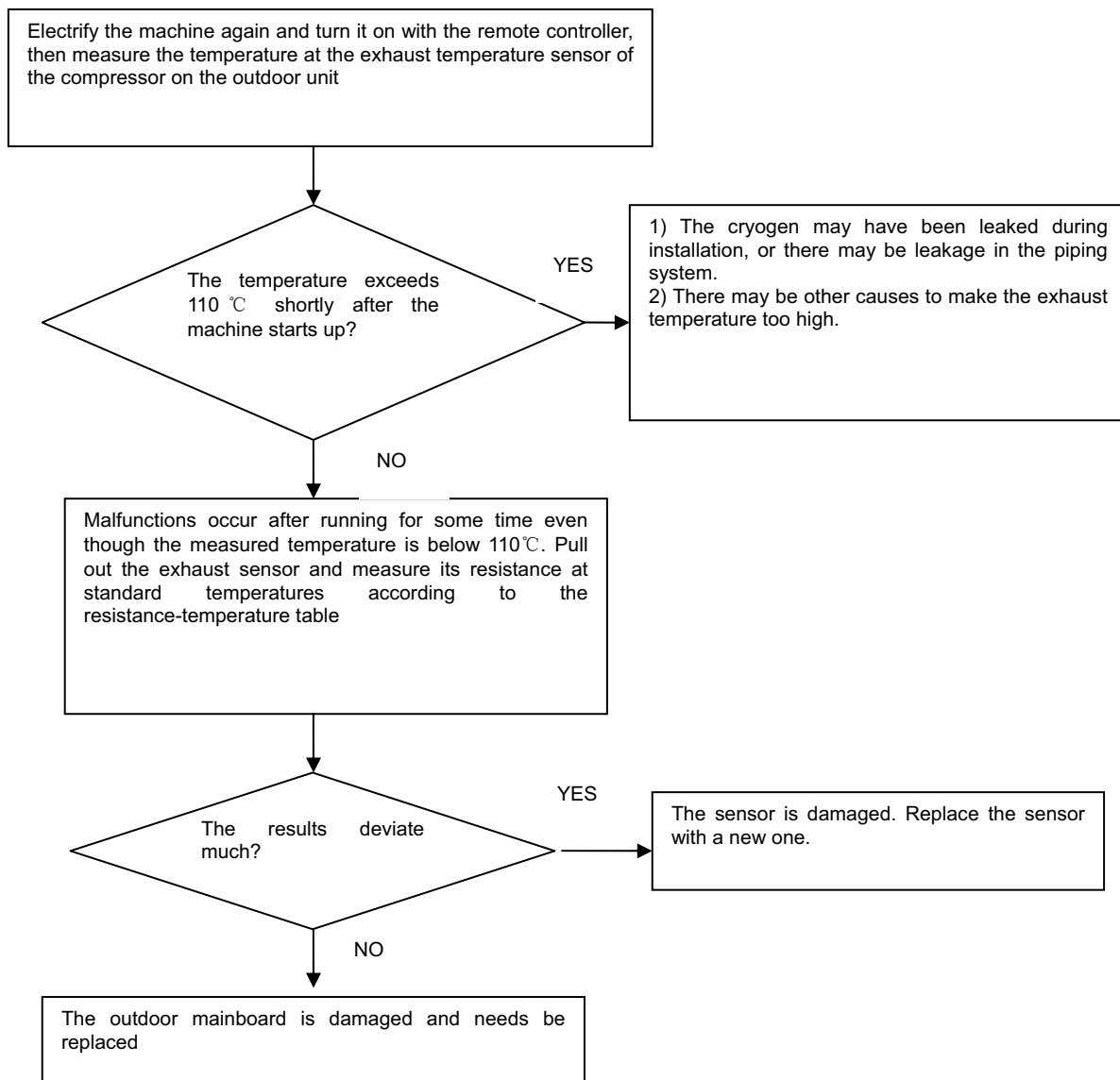
Troubleshooting * Caution Be sure to turn off power switch before connect or disconnect connector, or else parts damage may be occurred.



10.3.9 Overheat Protection For Discharge Temperature

Outdoor display: ■ ★ ■ / F4 LED1 flash 8 times

| | | |
|---------------------------------|---|--|
| Method of Malfunction Detection | The Discharge temperature control is checked with the temperature being detected by the Discharge pipe thermistor | |
| Malfunction Decision Conditions | when the compressor discharge temperature is above 110°C | |
| Supposed Causes | <ul style="list-style-type: none"> ■ Electronic expansion valve defective ■ Faulty thermistor ■ Faulty PCB | |
| Troubleshooting | * Caution Be sure to turn off power switch before connect or disconnect connector, or else parts damage may be occurred. | |



10.3.10 The communication fault between indoor and outdoor

Indoor display
outdoor display

■ ■ ★/ E7
LED1 flash 15 times

Method of
Malfunction
Detection

Communication is detected by checking the indoor PCB and the outdoor PCB.

Malfunction
Decision
Conditions

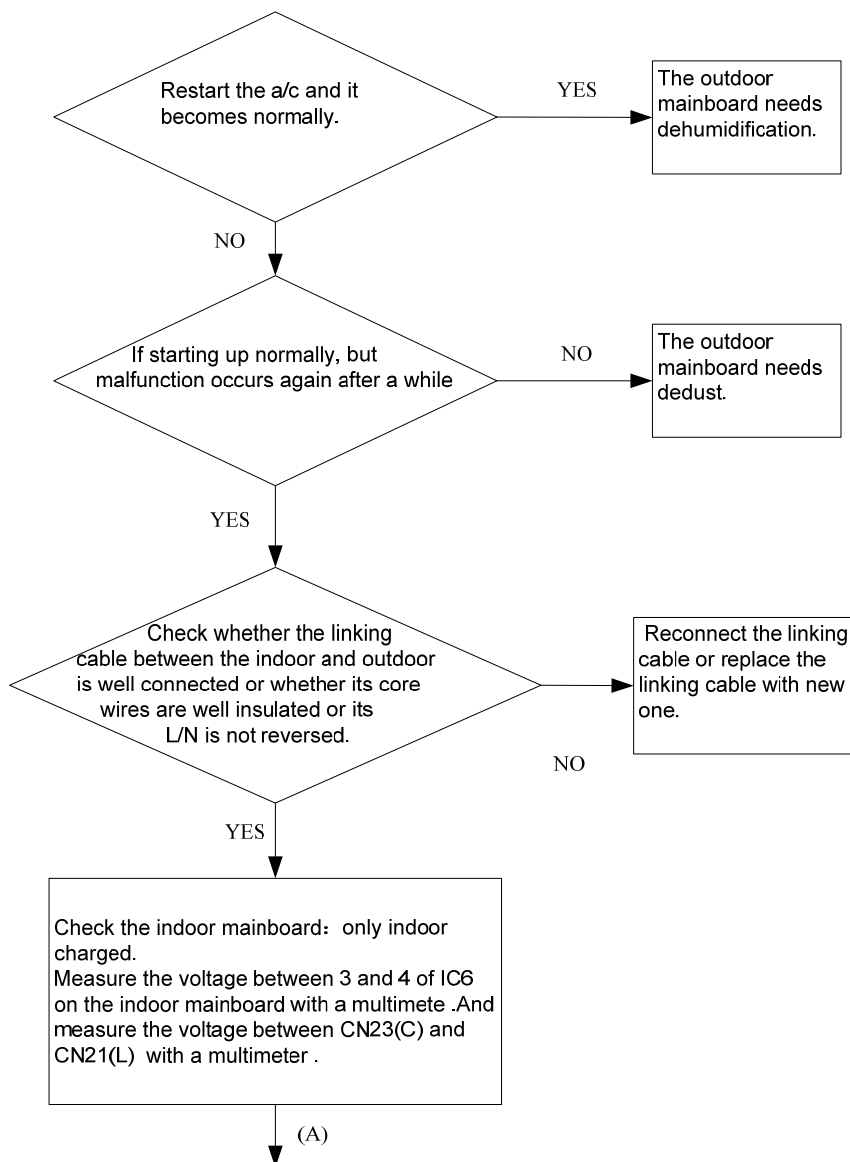
- The outdoor PCB broken leads to communication fault.
- The indoor PCB broken leads to communication fault.

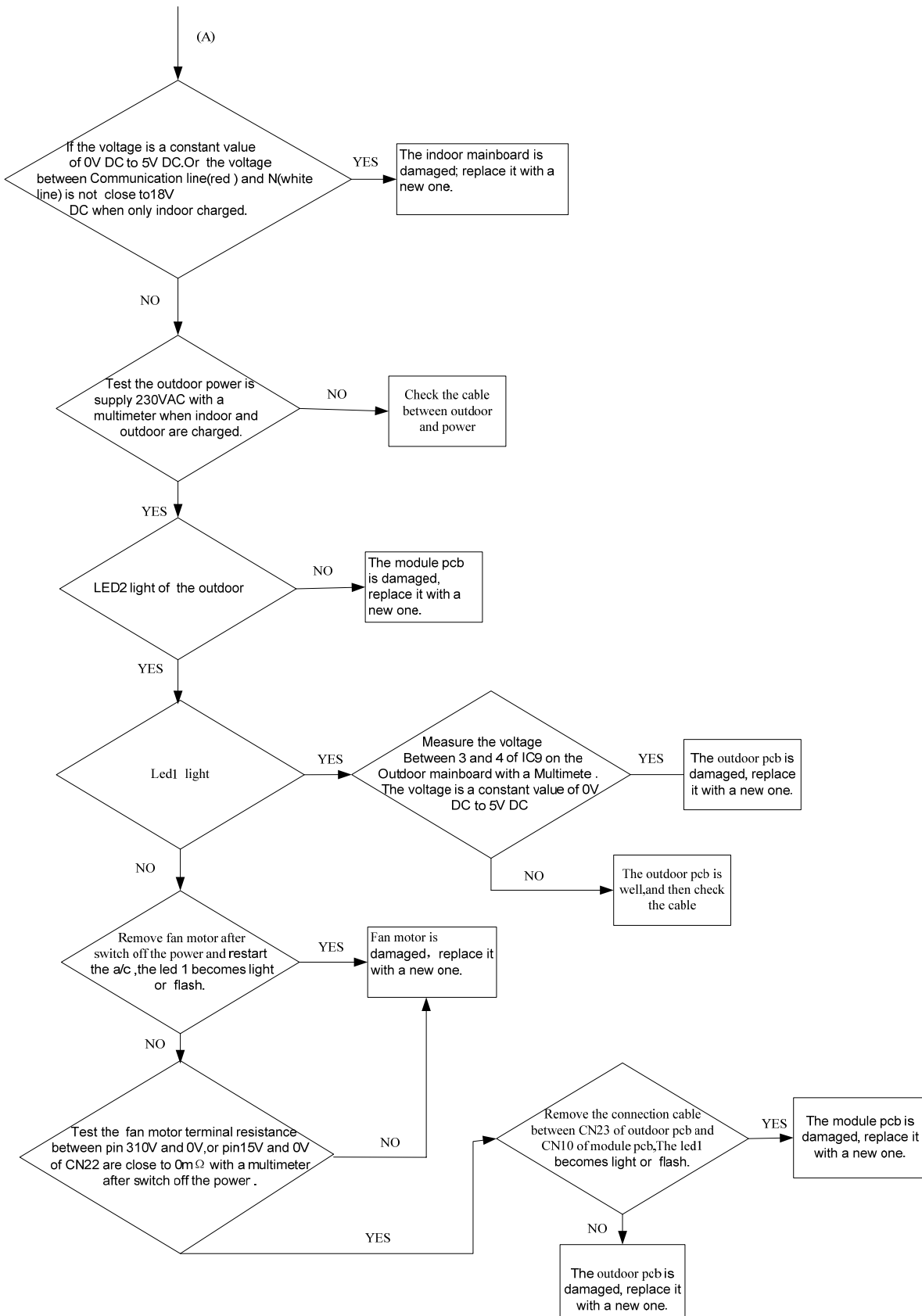
Supposed
Causes

- Communication wiring disconnected.
- The indoor PCB is broken.
- The outdoor PCB is broken.
- The Module PCB is broken.

Troubleshooting

* Caution Be sure to turn off power switch before connect or disconnect connector, or else parts damage may be occurred.





10.3.11 Loss of synchronism detection
Inverter side current detection is abnormal

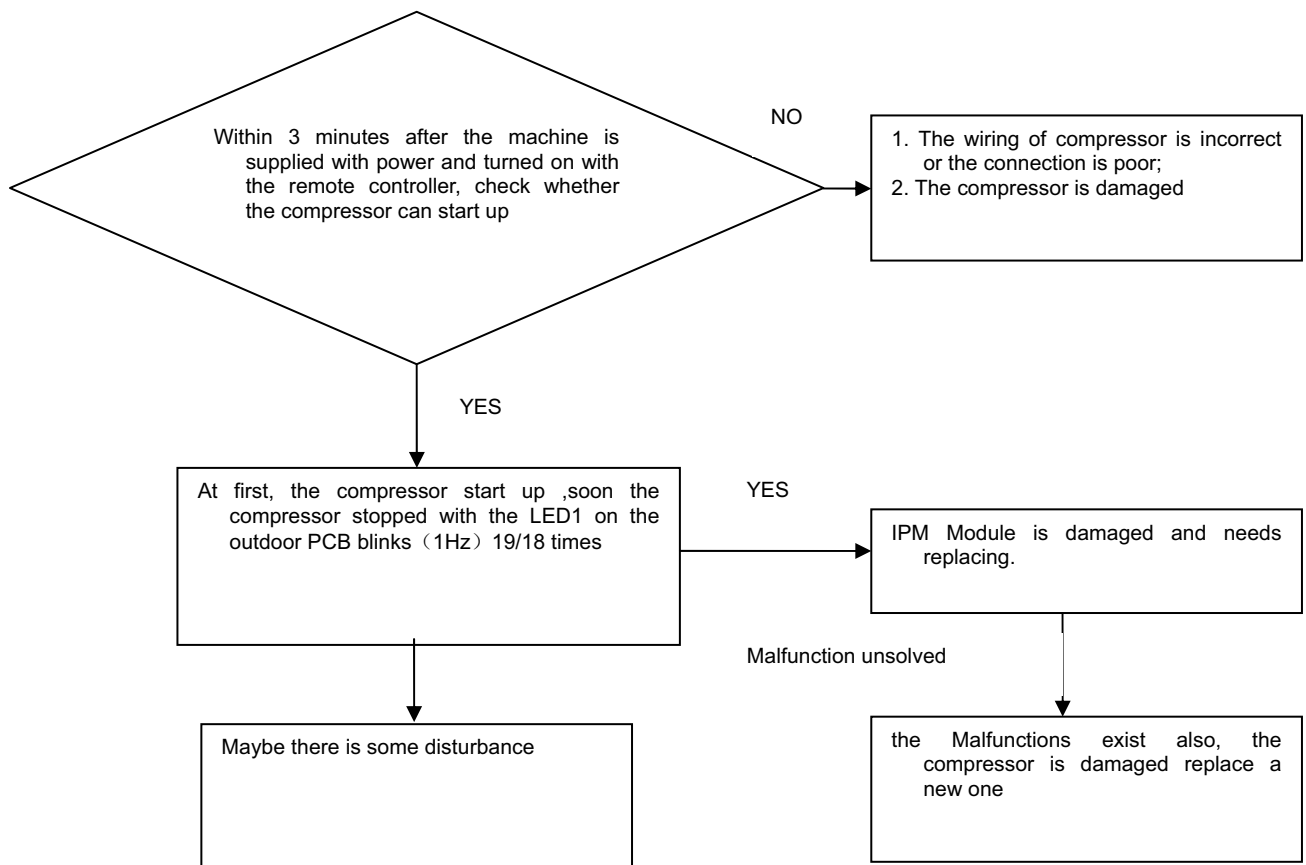
Outdoor Display ■ ★ ■ \ F11 LED1 flash 18 times
 ■ ★ ■ \F28 LED1 flash 19 times

Method of Malfunction Detection The position of the compressor rotor can not detected normally

Malfunction Decision Conditions when the wiring of compressor is wrong or the connection is poor; or the compressor is damaged

Supposed Causes ■ Faulty The wiring of compressor
 ■ Faulty compressor
 ■ Faulty PCB

Troubleshooting * Caution Be sure to turn off power switch before connect or disconnect connector, or parts damage may be occurred.



10.3.12 High work-intense protection

Outdoor display ★ ★ ★\E9 LED1 flash 21 times

Method of Malfunction Detection

High work-intense control is activated in the heating mode if the temperature being sensed by the heat exchanger thermistor exceeds the limit.

Malfunction Decision Conditions

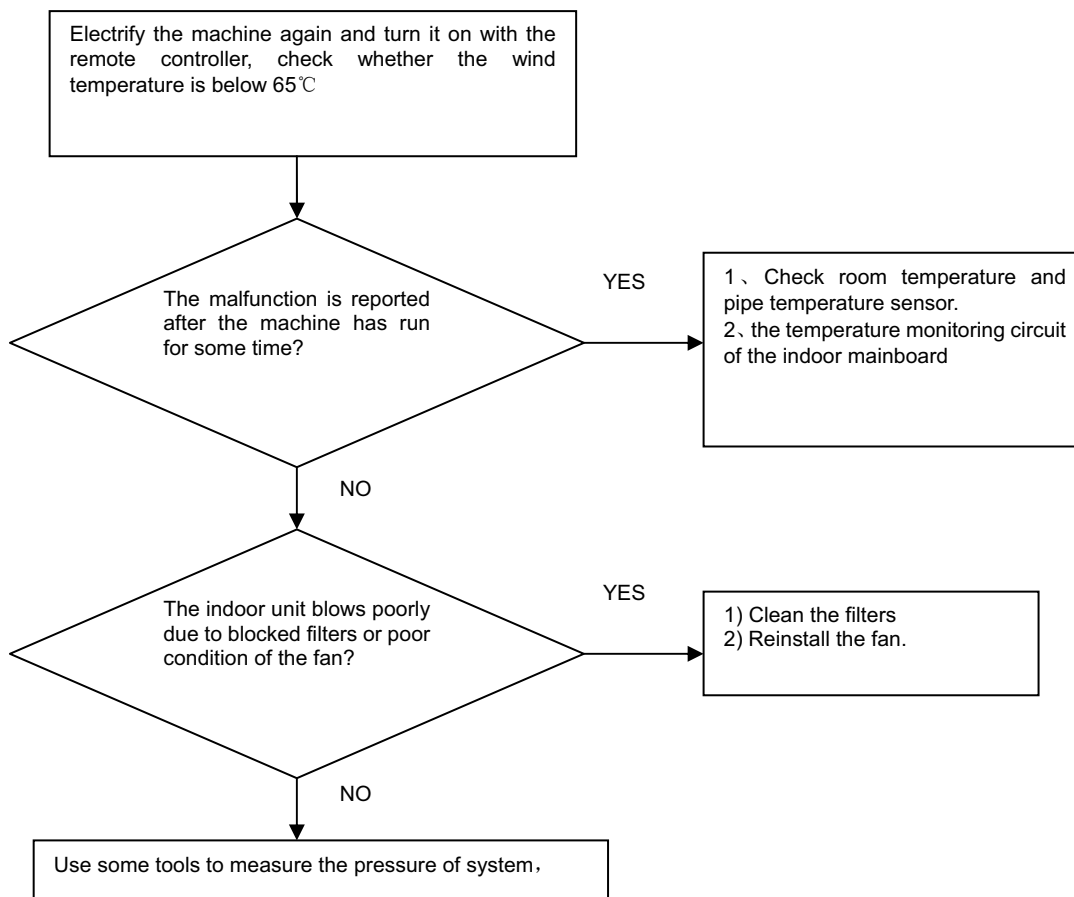
Activated when the temperature being sensed by the heat exchanger rises above 65°C twice in 30 minutes.

Supposed Causes

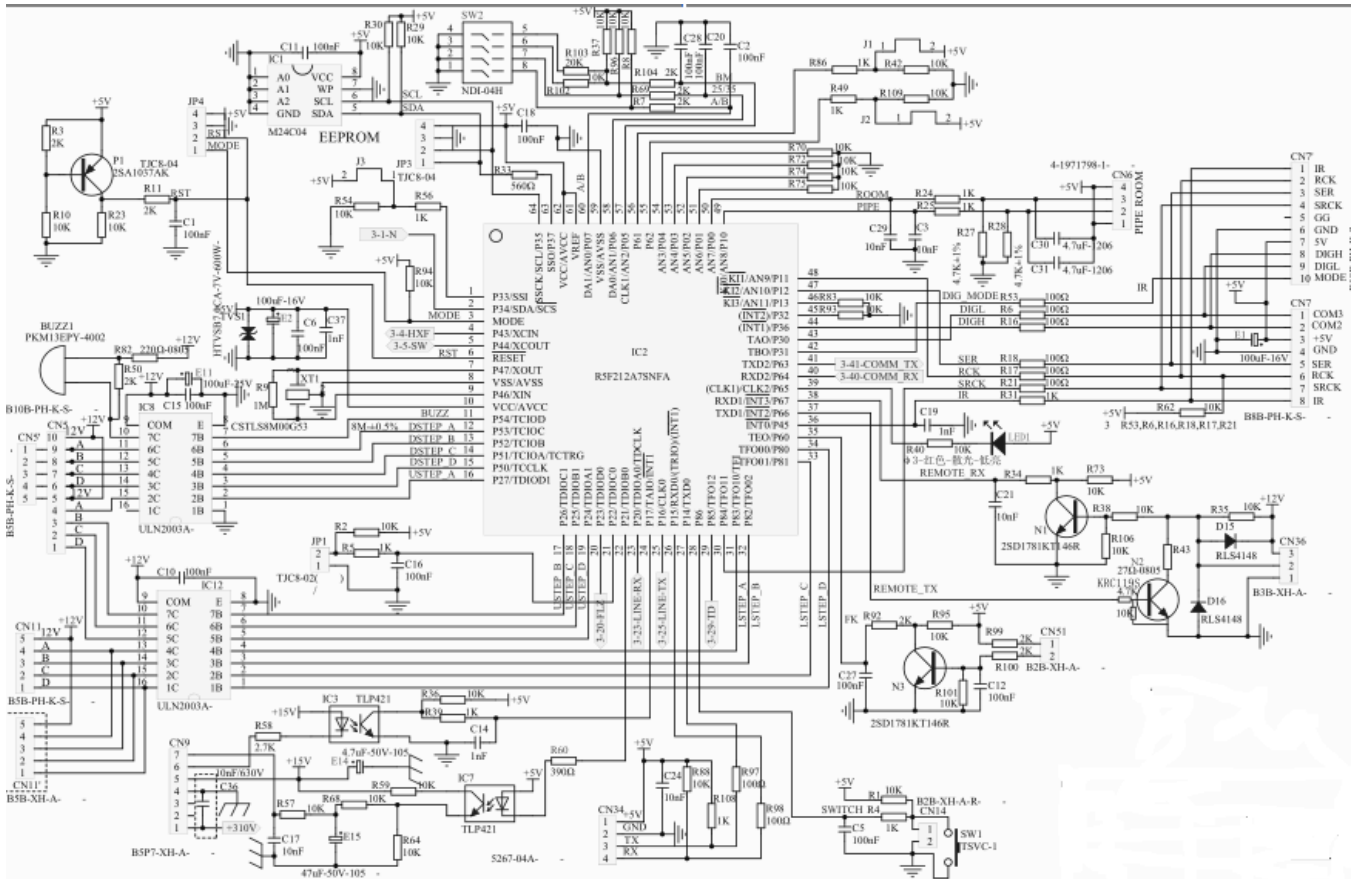
- Faulty electronic expansion valve
- Dirty heat exchanger
- Faulty heat-exchange sensor
- Insufficient gas

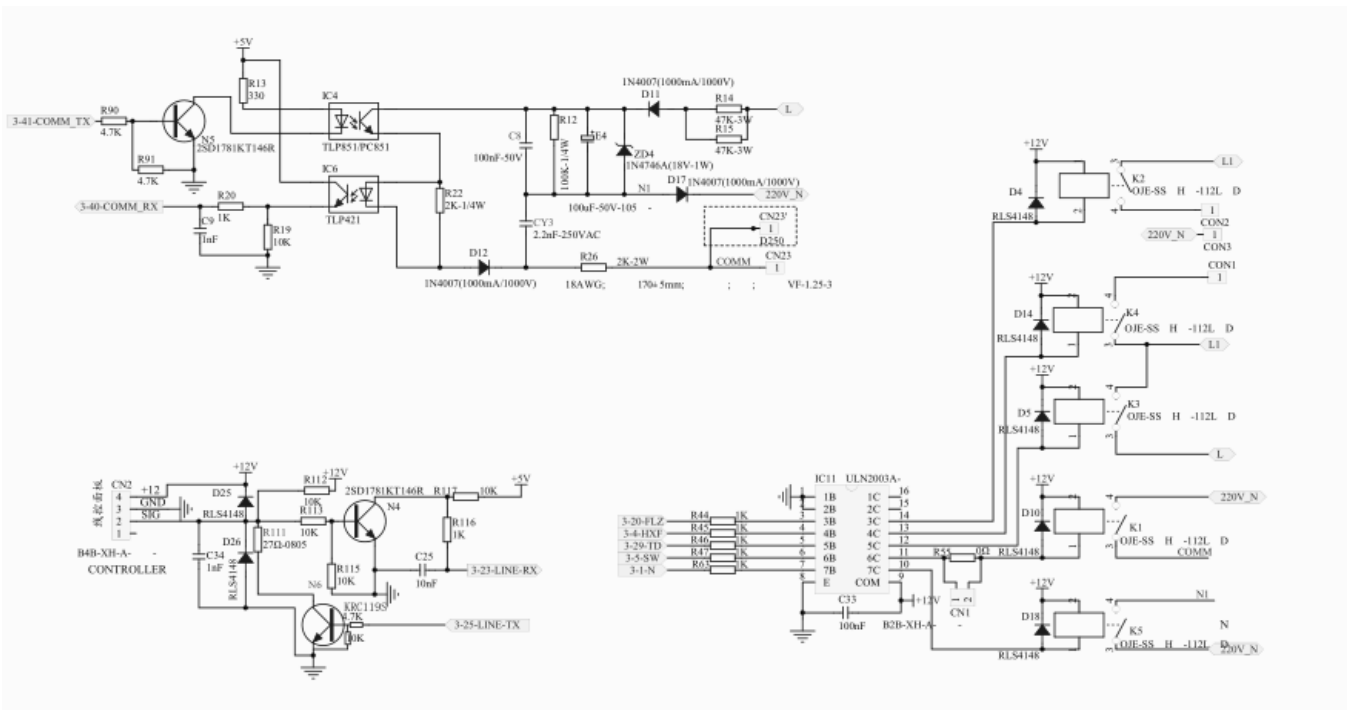
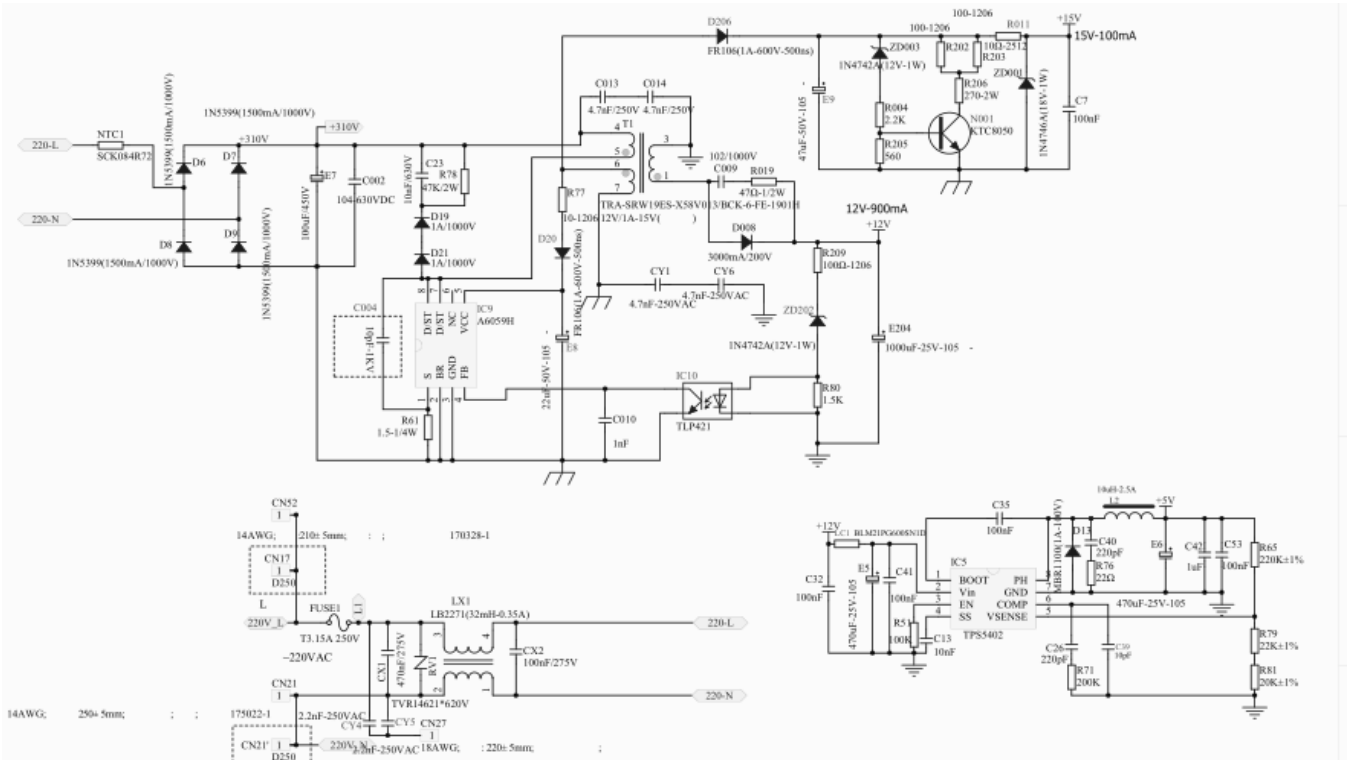
Troubleshooting

* Caution Be sure to turn off power switch before connect or disconnect connector, or else parts damage may be occurred.



11 Circuit Diagrams





Sincere Forever

Haier Group

Haier Industrial Park, No.1, Haier Road

266101, Qingdao, China_

Http: //www.haier.com

Edited by : Shi Haiyan

Yang Xiaodong

Signed by : He shiquan

Approved by: Wu Hongjin

Haier

REMOVAL PROCEDURE

Wall Mounted Type DC Inverter T-Series SERIES:70T



WARNING

This service information is designed for experienced repair technicians only and is not designed for use by the general public. It does not contain warnings or cautions to advise non-technical individuals of potential dangers in attempting to service a product. Products powered by electricity should be serviced or repaired only by experienced professional technicians. Any attempt to service or Repair the product or products dealt with in this service information by anyone else could result in serious injury or death

2015 (Qingdao Haier Air Conditioner General corp. , Ltd)
All rights reserved. Unauthorized copying and distribution is a violation of law

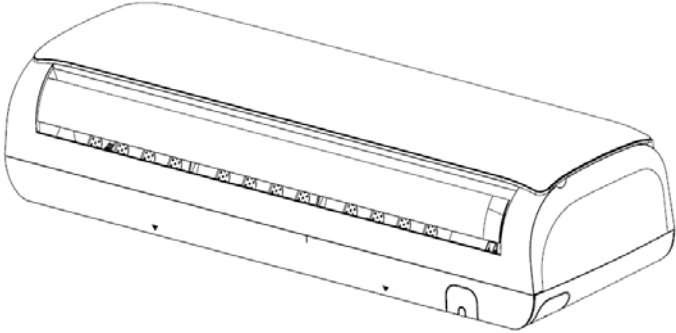
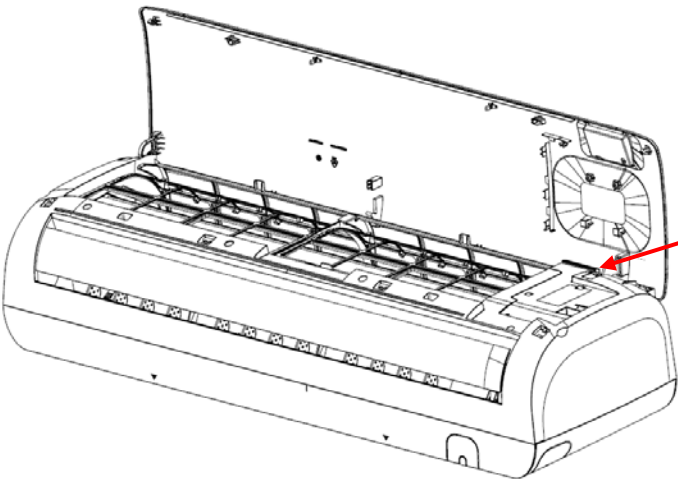
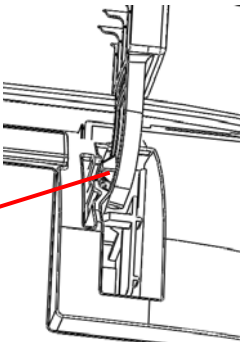
Haier Group

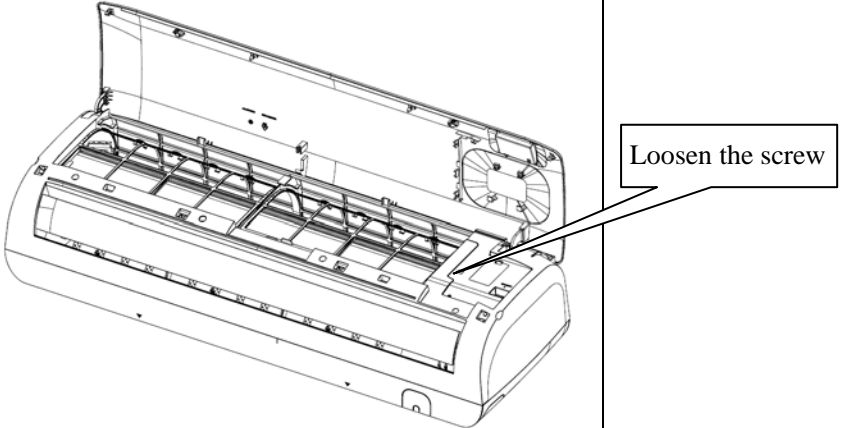
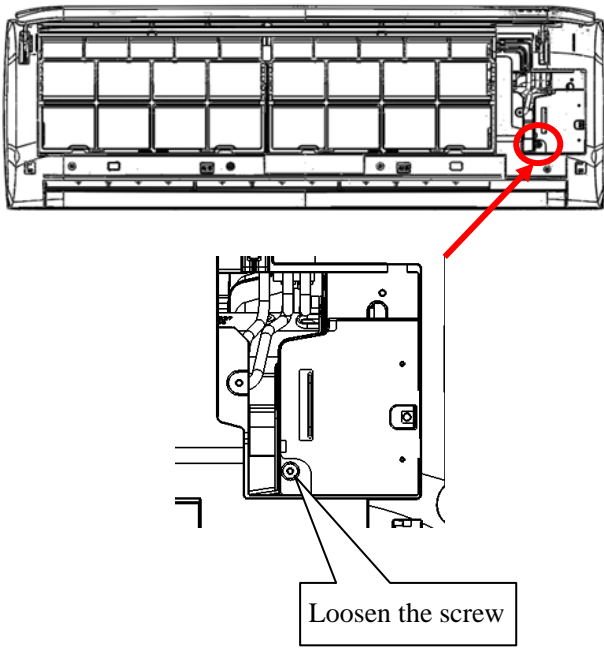
Version: V1

Date: 2015-11-14

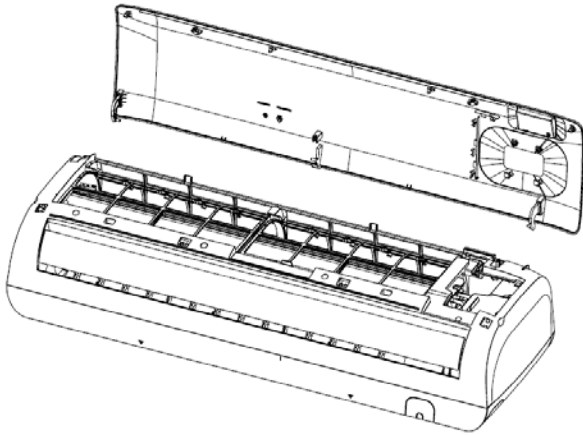
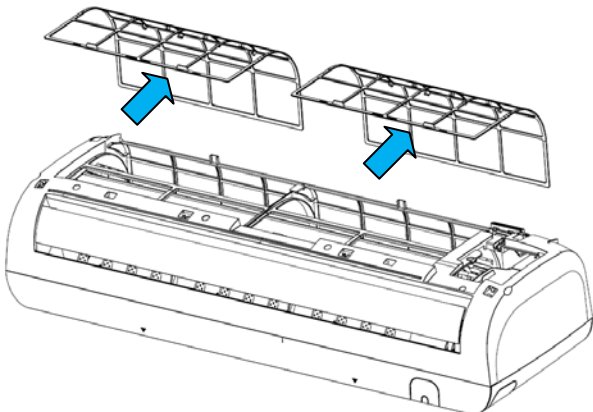
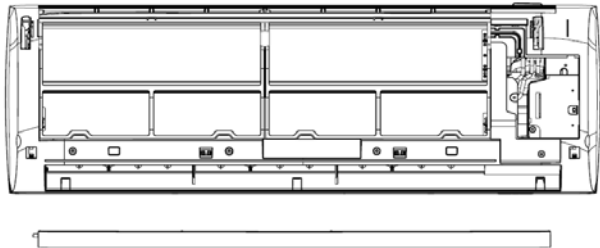
Removal of front panel

Indoor unit

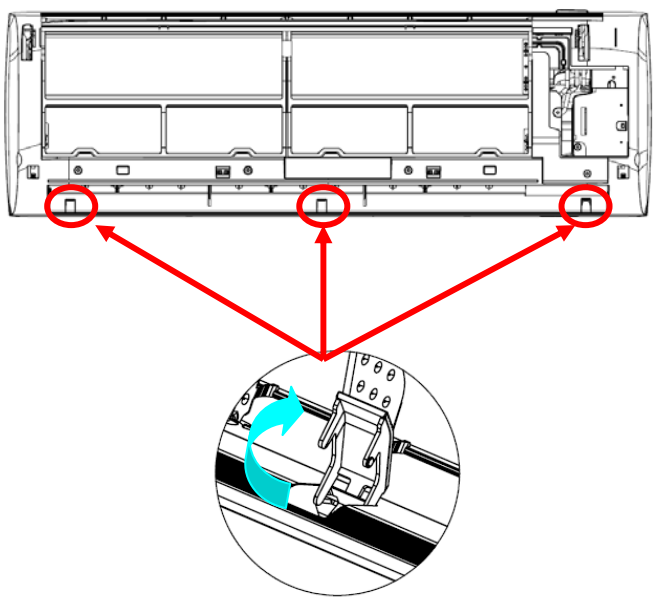
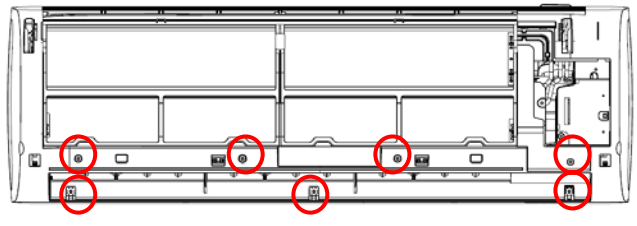
| Step | | Procedure | Points |
|--------------------------|---|--|---|
| 1.Features | | | |
| | |  | |
| 2.Remove the front panel | | | |
| 1 | <p>Hold the front panel by the tabs on the both sides and lift it</p> |  |  |

| Step | | Procedure | Points |
|------|--|--|--------|
| 2 | Loosen the screw and lift up the casing cover |  | |
| 3 | Loosen the screw and lift up the control box cover |  | |

Remove the air filters and horizontal flap

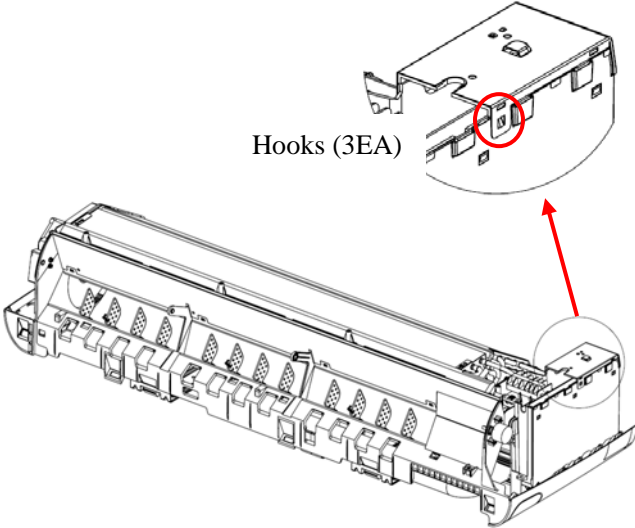
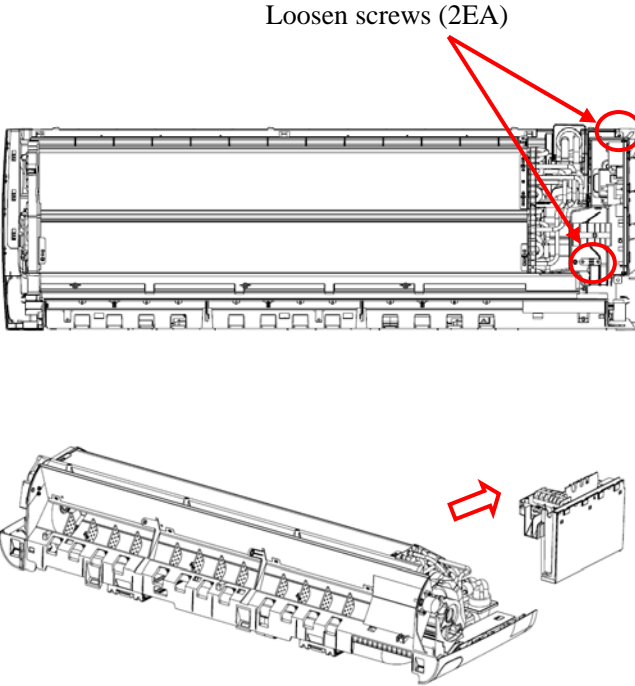
| Step | | Procedure | Points |
|--|--|--|--|
| 6 | <p>Pull the Harness out of the control box and then release the pivots on both sides of the unit to remove the front panel</p> |  | |
| <p>Remove the air filters</p> | | | |
| 1 | <p>Lift an air filter upwards slightly and then pull it out downwards</p> |  | |
| <p>Remove the horizontal flap</p> | | | |
| 1 | <p>Release the side of pivot and then Release the Center of the pivot. Bend the horizontal blade slightly and remove it.</p> |  | <p>■ The horizontal flap is Single</p> |

Remove the casing

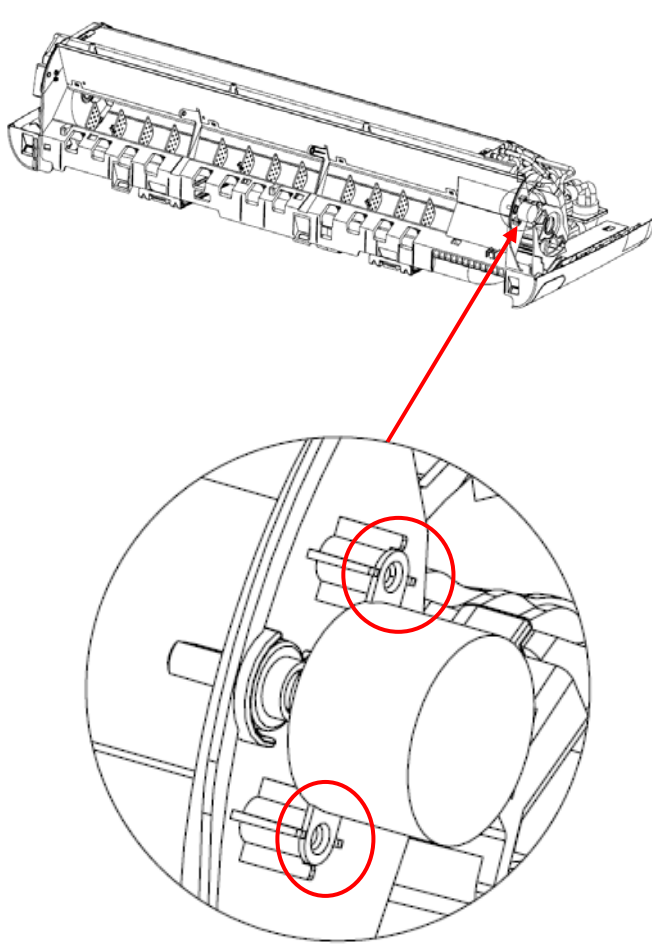
| Step | | Procedure | Points |
|------|-------------------------------|--|--------|
| 1 | Release the screw covers(3EA) |  | |
| 2 | Loosen the marked Screw (7EA) |  | |

| Step | | Procedure | Points |
|------|---|-----------|--|
| 3 | <p>Release the marked hooks (4EA) and then Pull the front grille out Horizontally and remove it</p> | | <ul style="list-style-type: none"> ■ When assembling, install the front grille horizontally so as not to stuff the flap inside. ■ When assembling, make sure the four hooks are caught properly. |

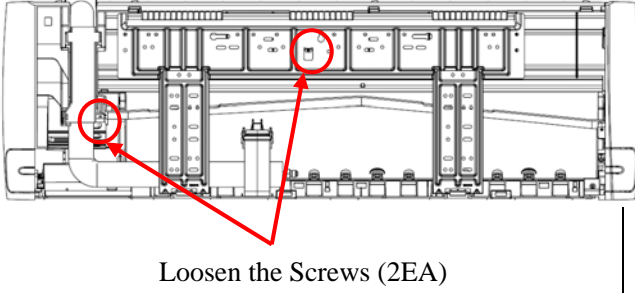
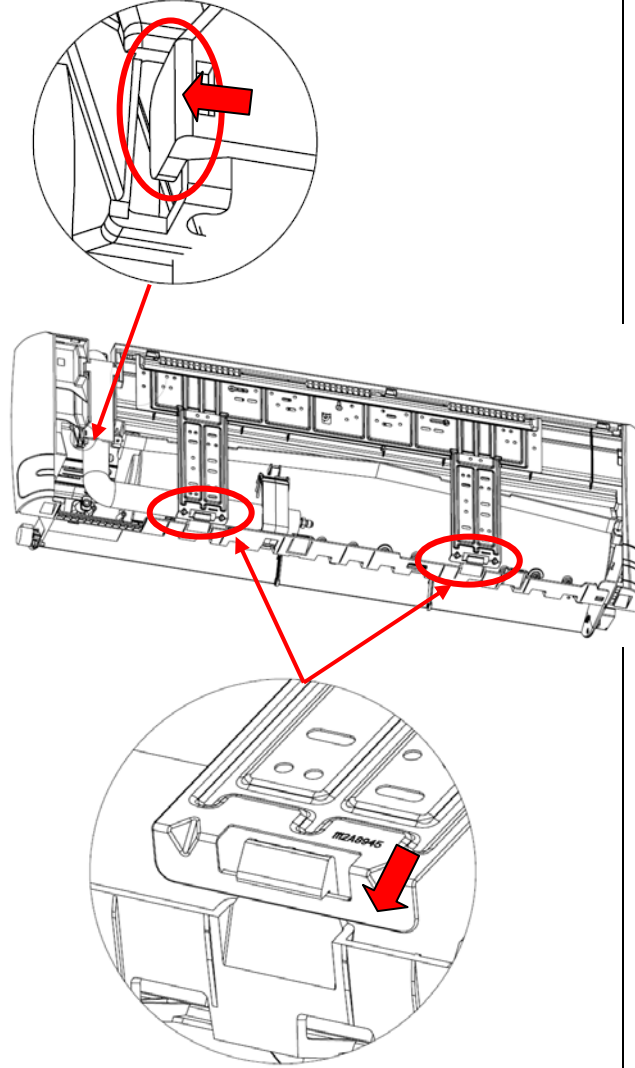
Release stepping motor and control box

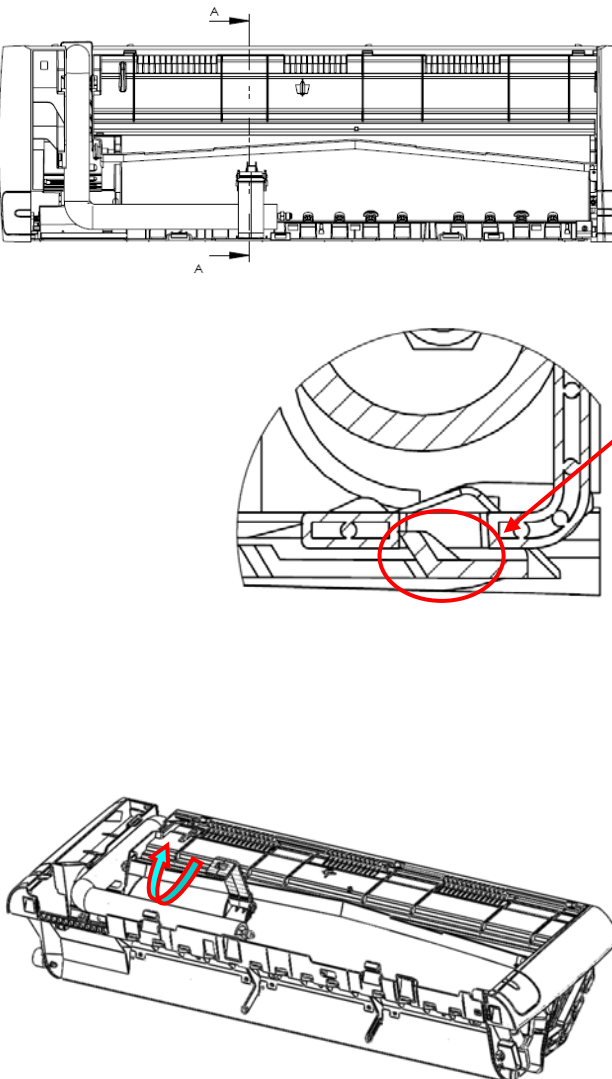
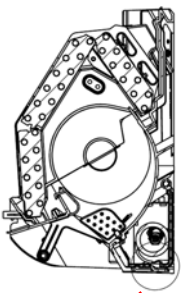
| Step | | Procedure | Points |
|------|---|--|--|
| 1 | Release the top cover of the control box hooks and then remove it. |  | |
| 2 | Pull the Harness out of the PCB unit and then Loosen the control Box screws (2EA) . Pull the control box from of the frame and remove it. |  | <p>Harness: Stepping motor and fan motor harness</p> |

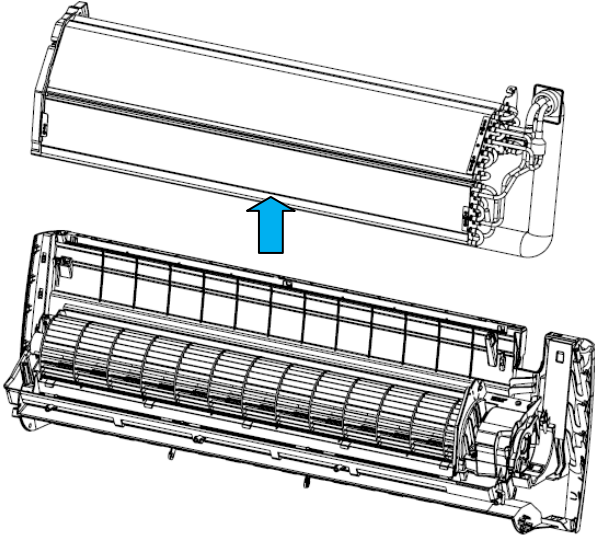
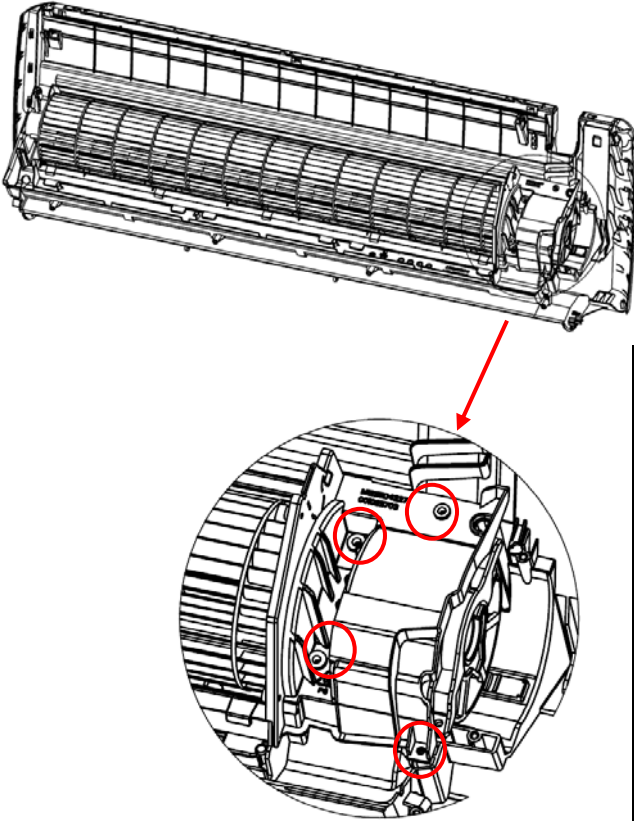
Release stepping motor and control box

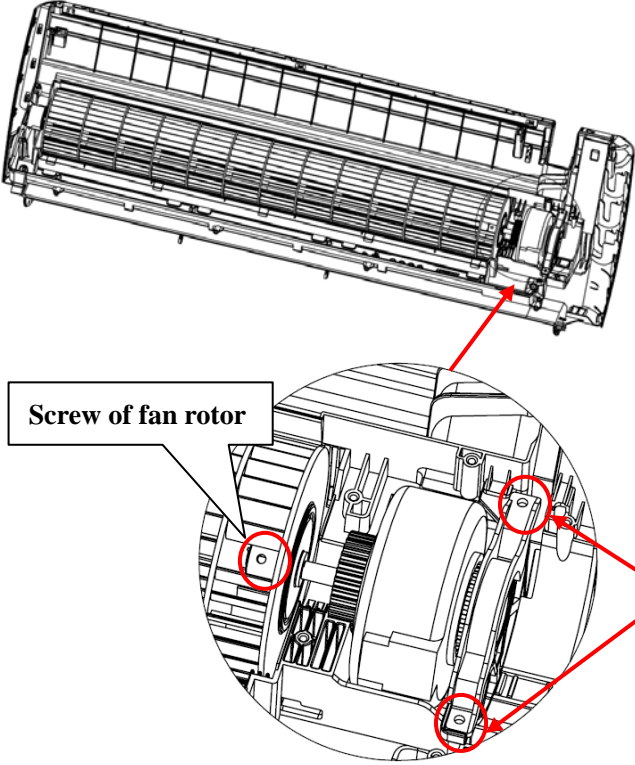
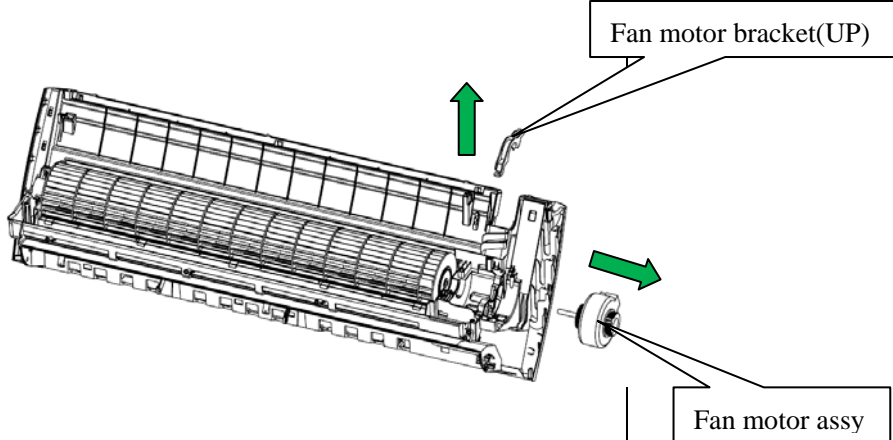
| Step | | Procedure | Points |
|------|---|---|--------|
| 3 | Loosen the stepping motor screws (2EA), and then Release the stepping motor |  | |

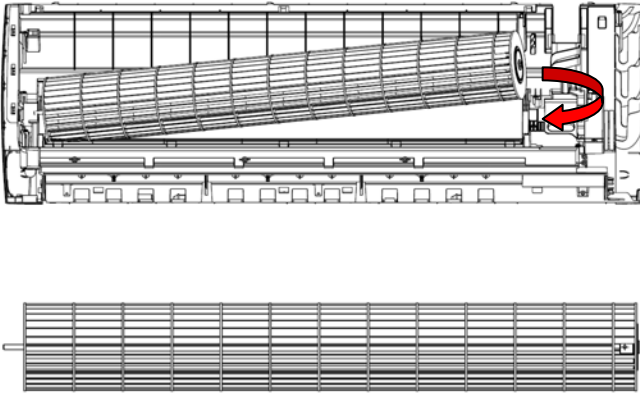
Removal of Heat Exchanger

| Step | | Procedure | Points |
|------|---|---|--------|
| 1 | Loosen the marked screws(2EA) |  <p>Loosen the Screws (2EA)</p> | |
| 2 | Pull mounting plate and heat exchanger bracket out from Hook of the base frame and then release them. |  | |

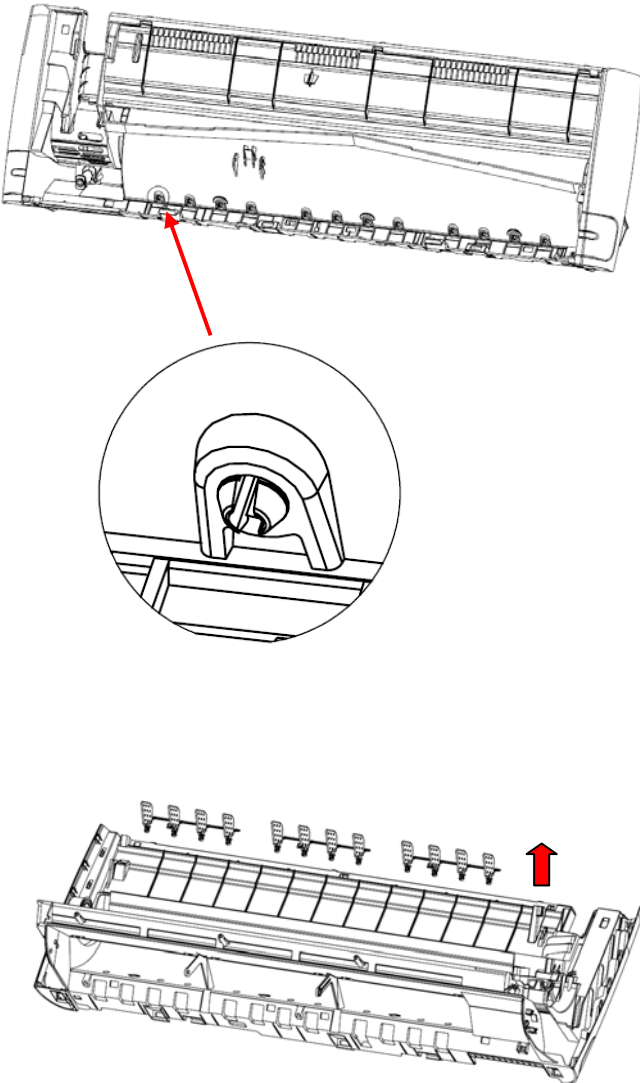
| Step | | Procedure | Points |
|------|---|---|---|
| 3 | Release the fixture plate from the base frame hook and remove it. |  |  |

| Step | | Procedure | Points |
|------------------|---|--|--------|
| 4 | <p>Loosen the marked screws (7EA). And then Remove the heat exchanger</p> |  | |
| Remove Fan Motor | | | |
| 1 | <p>Loosen the marked screws(4EA) and release the cover of fan motor</p> |  | |

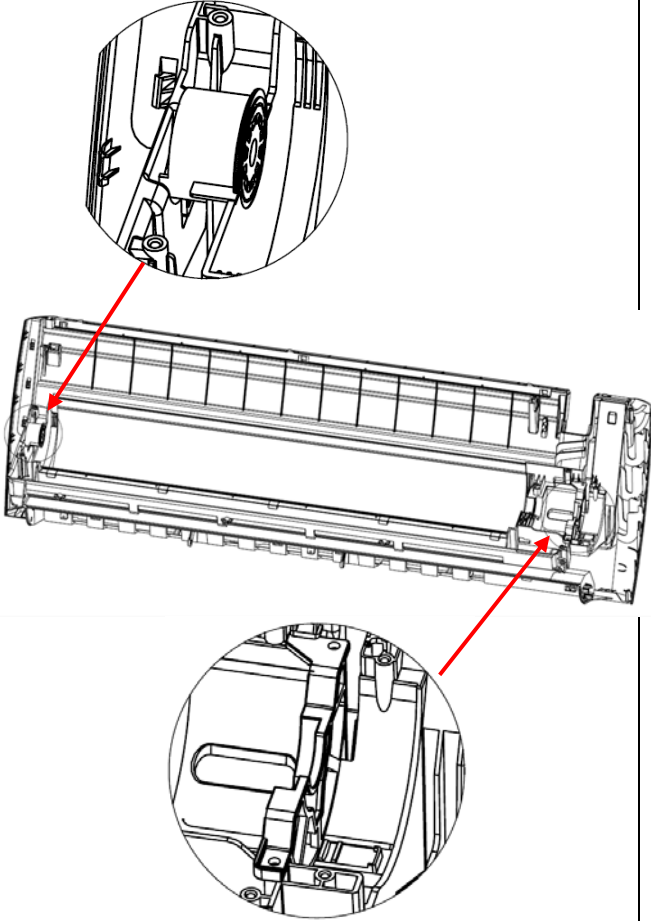
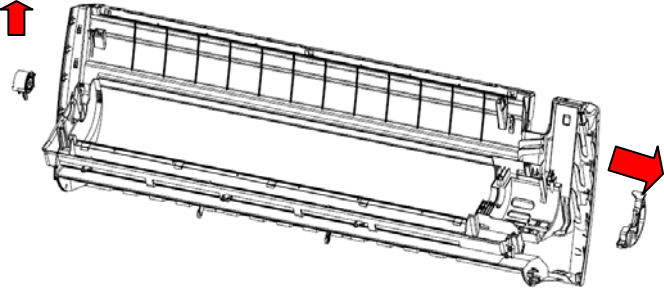
| Step | | Procedure | Points |
|------|---|--|--------|
| 1 | Loosen the marked screw (2EA) of fan motor up bracket and remove it |  | |
| 2 | Loosen the marked screw (1EA) of fan motor and remove fan motor over it |  | |

| Step | | Procedure | Points |
|------|---|--|--------|
| 3 | Lift up the right part of the fan and remove it |  | |

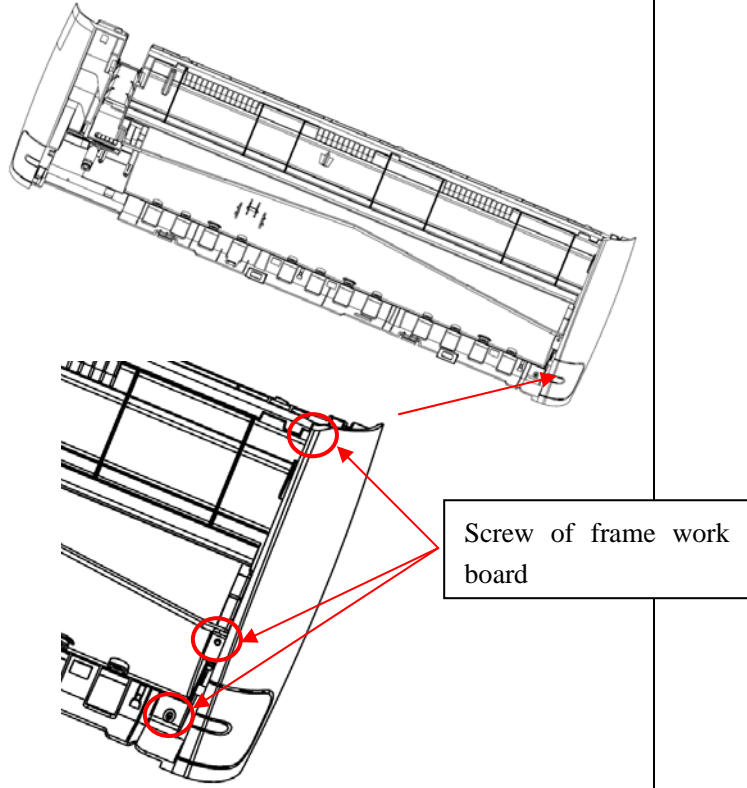
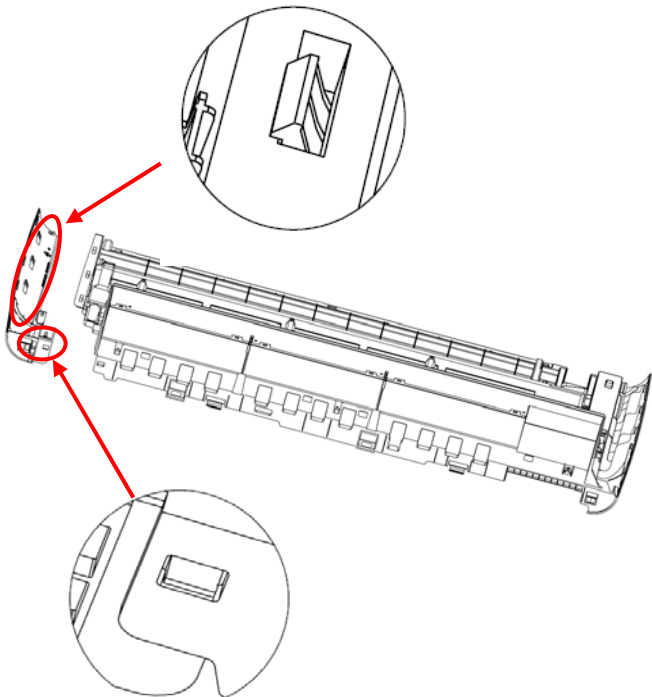
Remove horizontal louver and fan motor bracket

| | | | |
|---|--|---|--|
| 1 | Every blade go round and round, then move it |  | |
|---|--|---|--|

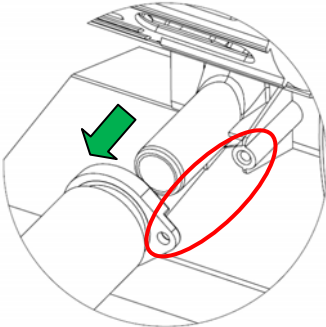
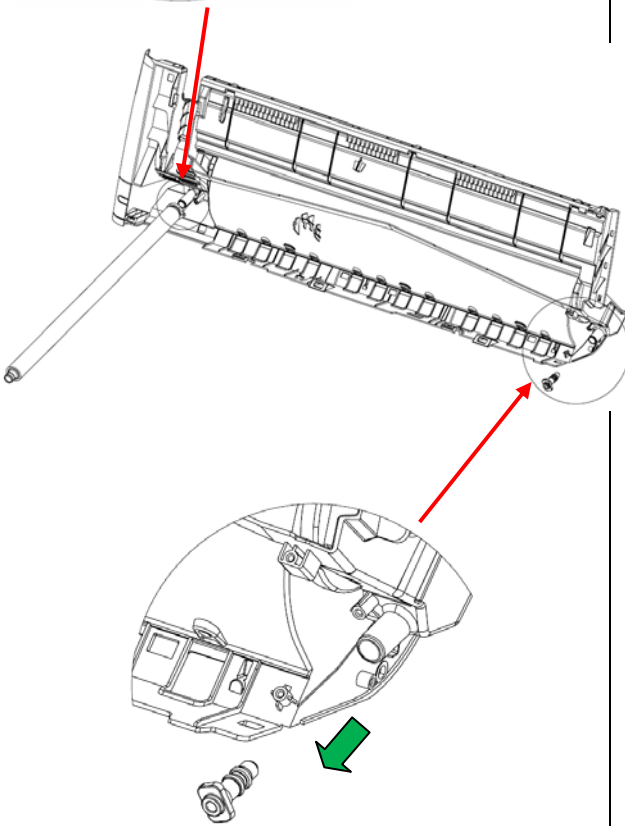
Remove fan motor bracket and fan bearing

| Step | | Procedure | Points |
|------|---|--|--------|
| 1 | Pull the hook of fan motor bracket and upward remove it |  | |
| 2 | Pull the hook of bearing bracket and upward remove it |  | |

Remove frame work board

| Step | | Procedure | Points |
|------|--|--|--------|
| 1 | Loosen the marked screw of frame work board |  | |
| 2 | Pull the hook of frame work board, remove it |  | |

Remove drain pipe and drain pipe stem

| Step | | Procedure | Points |
|------|---|---|--------|
| 1 | Loosen the marked screw of drain pipe and then remove it |  | |
| 2 | Pull the drain pipe stem from base frame and then remove it |  | |